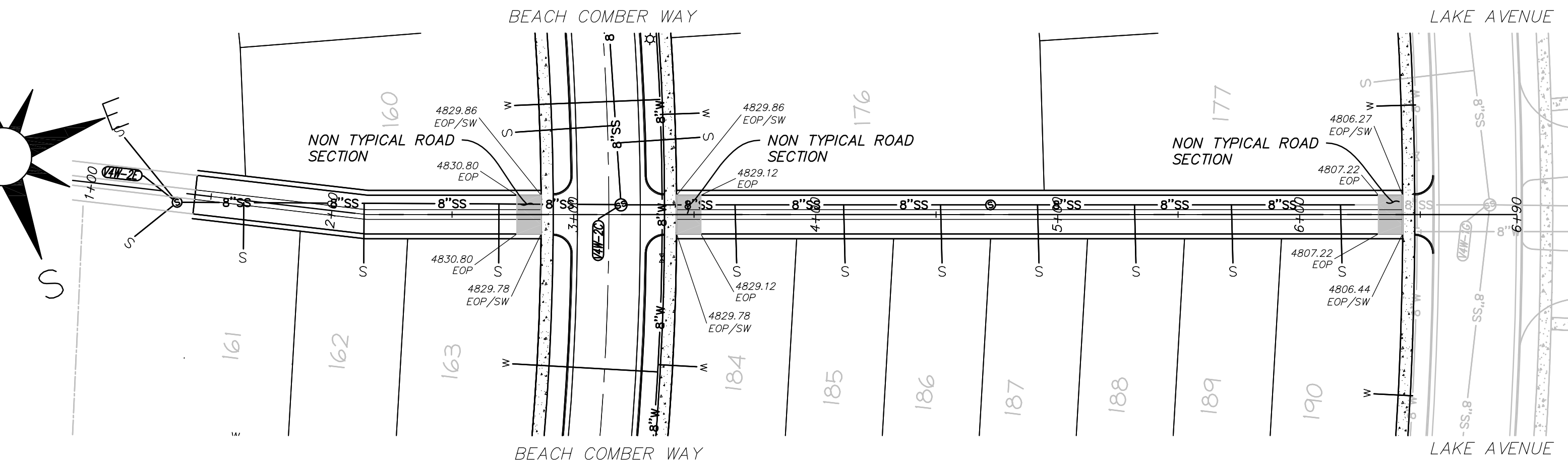
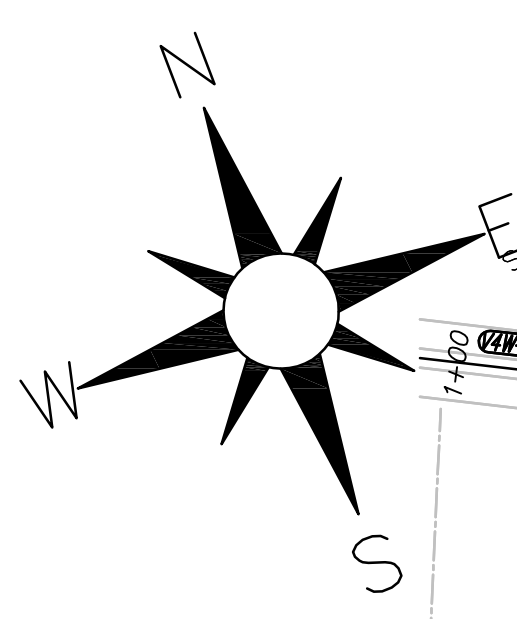
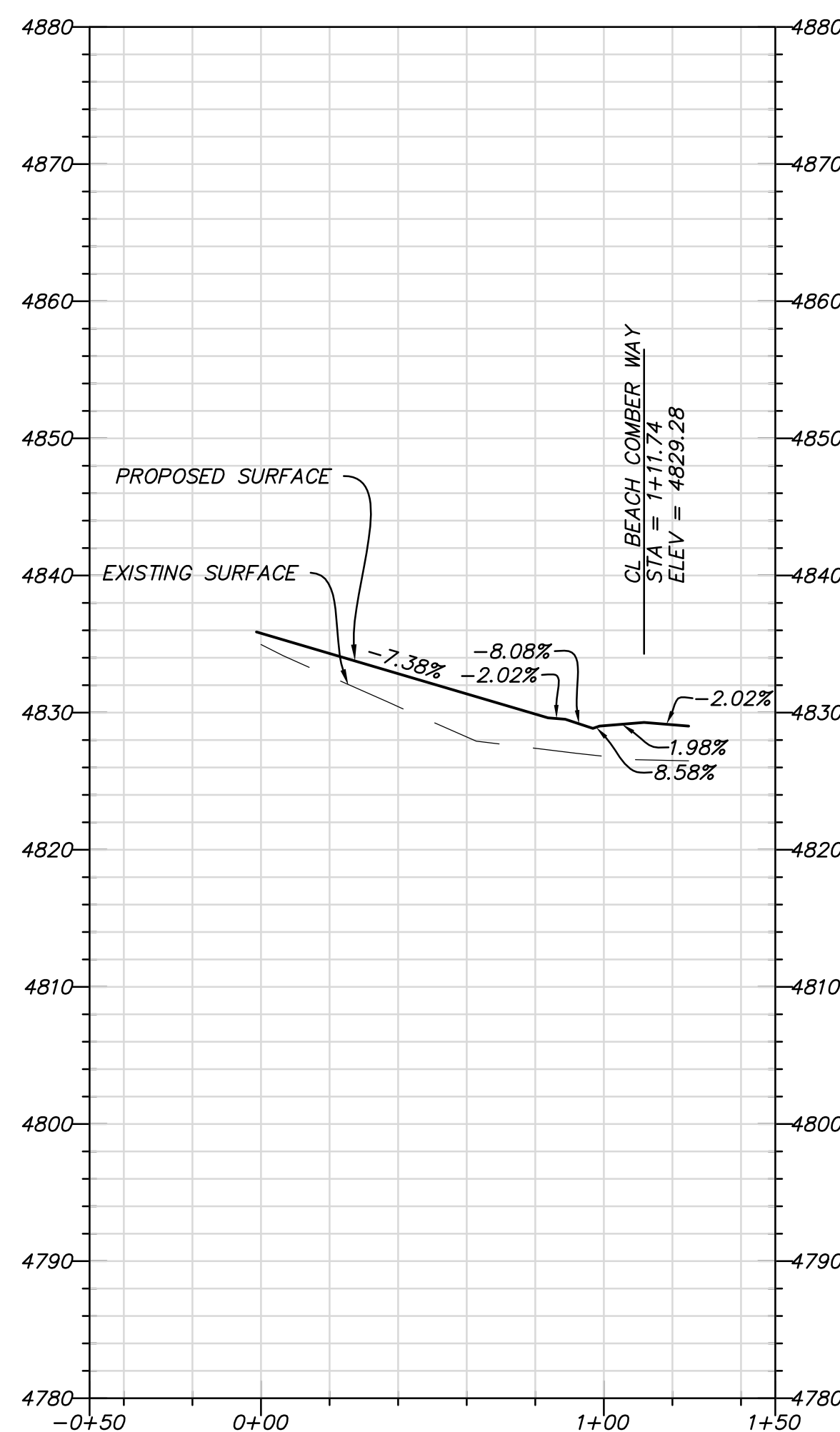


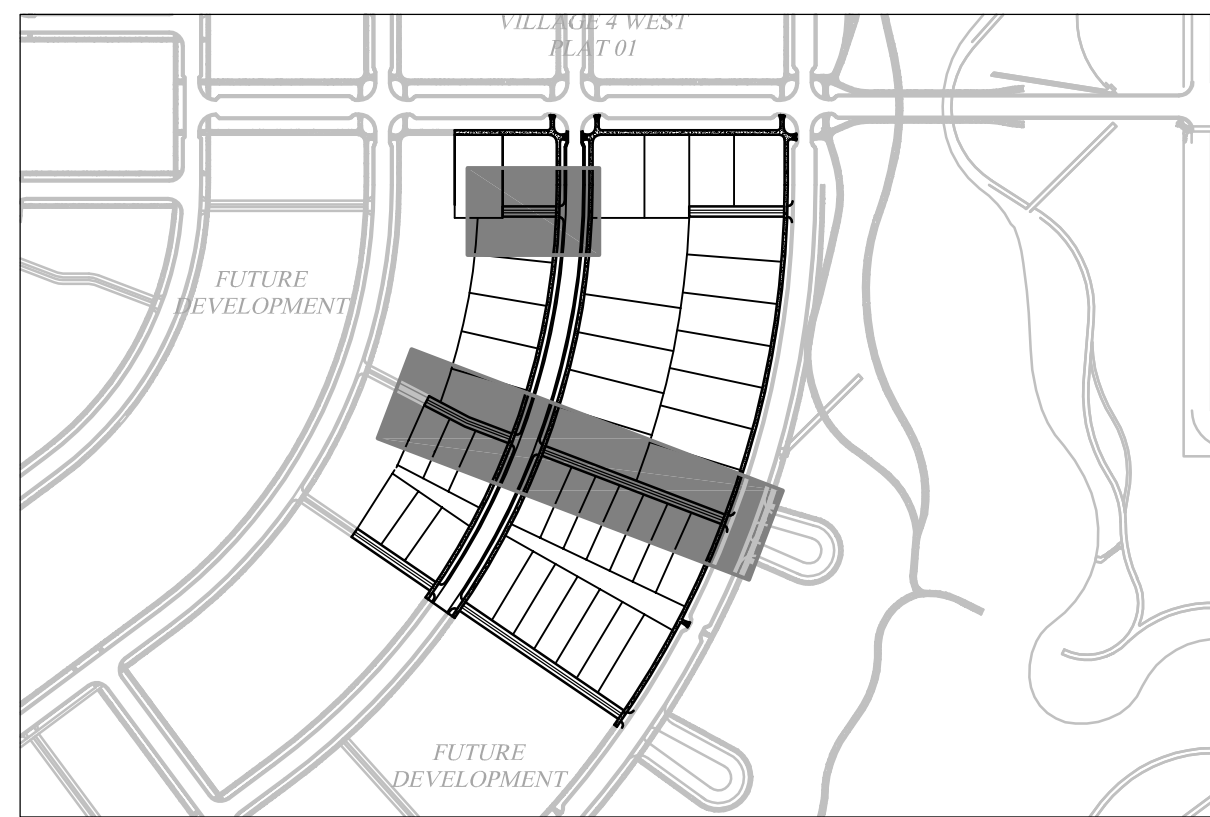
**PRIVATE DRIVEWAY 01**

STA: -0+50 TO 1+50

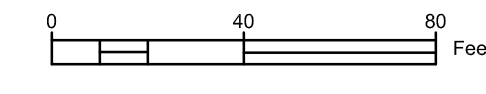
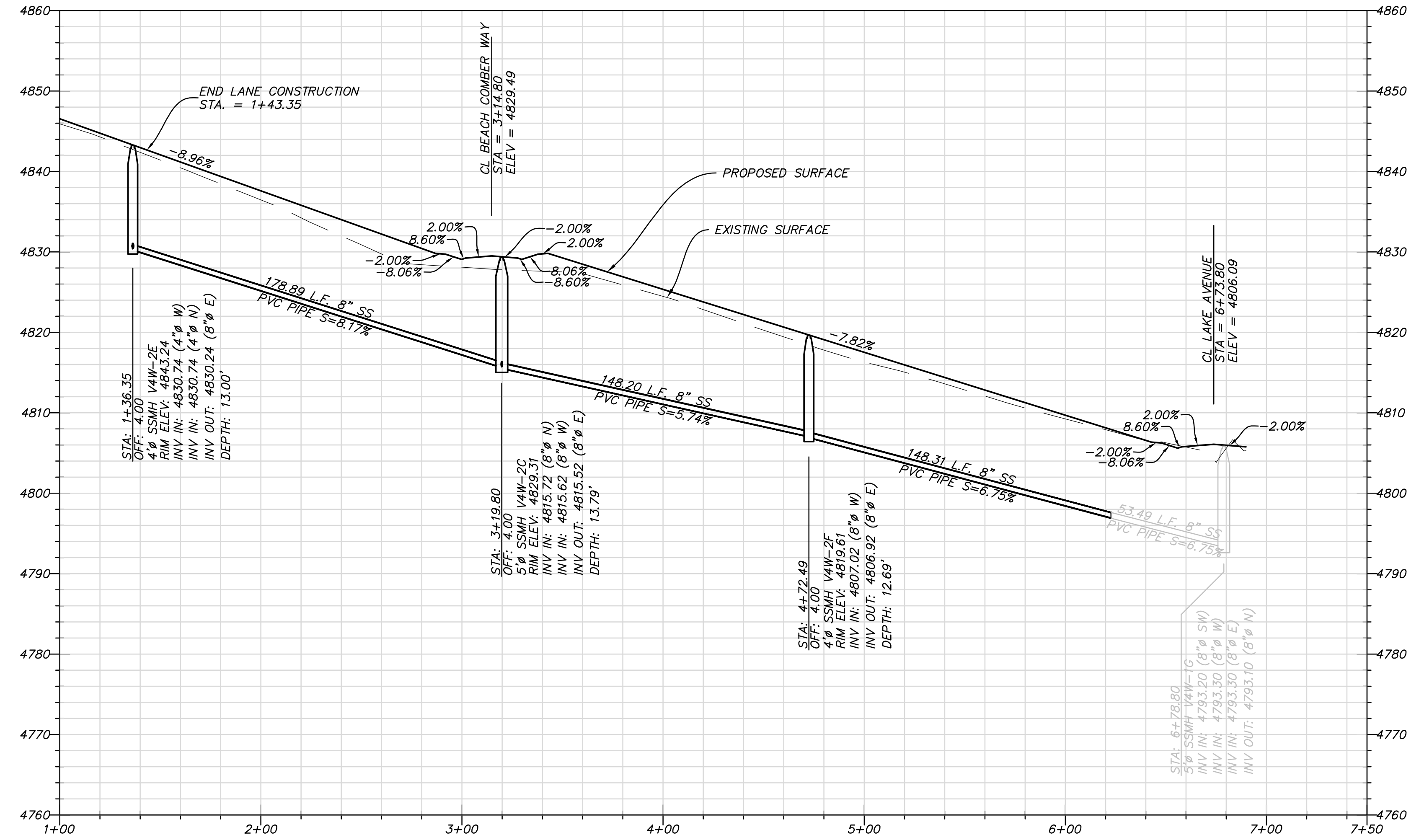


**LANE 02**

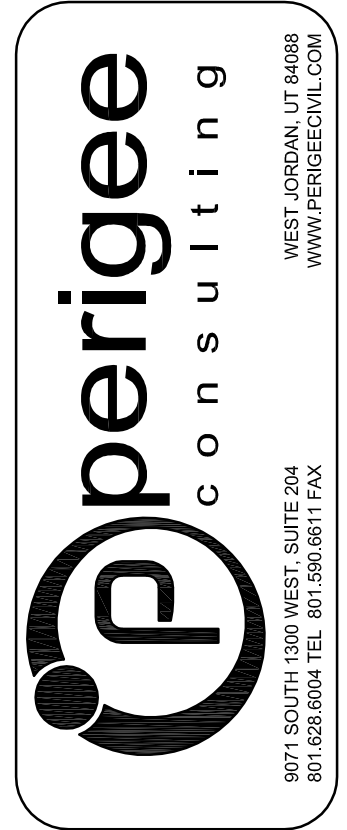
STA: 1+00 TO 7+50



KEY MAP



**NOT FOR CONSTRUCTION**



**SOUTH JORDAN CITY**

CITY ENGINEER DATE

MARK	DESCRIPTION	DATE	APPR.

DESIGNED BY: JTA	DATE: MAY 2013	REV:
DRAWN BY: AMAL	CHECKED BY: JAXX	SUBMITTENCE:
FILE NAME: N:\0182_Daybreak\00daybreak\WP\WP1-PROP	CONTRACT NO: 00262	CONTRACT BY:
SIZE: ANSD	PLOTTED BY:	PLLOT DATE: 6/7/2013 3:28:39 PM

**DAYBREAK**  
**VILLAGE 4 WEST PLAT 2**  
 PLAN AND PROFILE  
 PRIVATE DRIVEWAY 01  
 & LANE 02

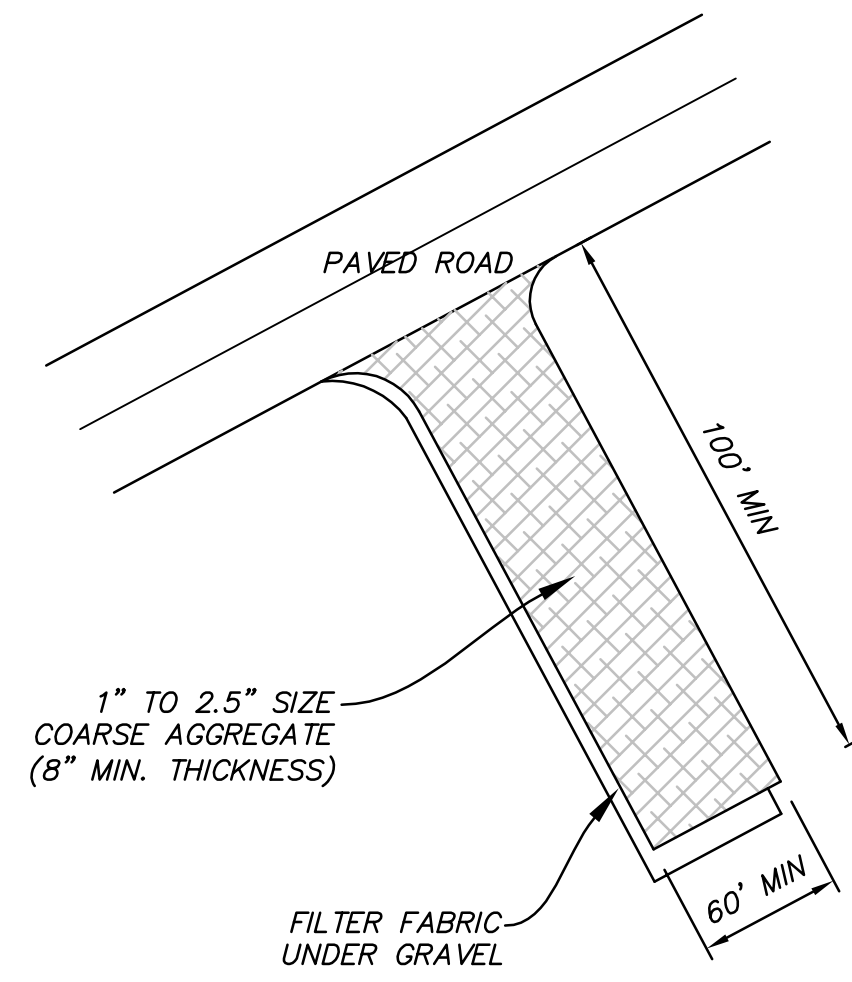
SHEET NUMBER  
**11**  
 OF 16 SHEETS  
 DRAWING NAME  
**PP03**





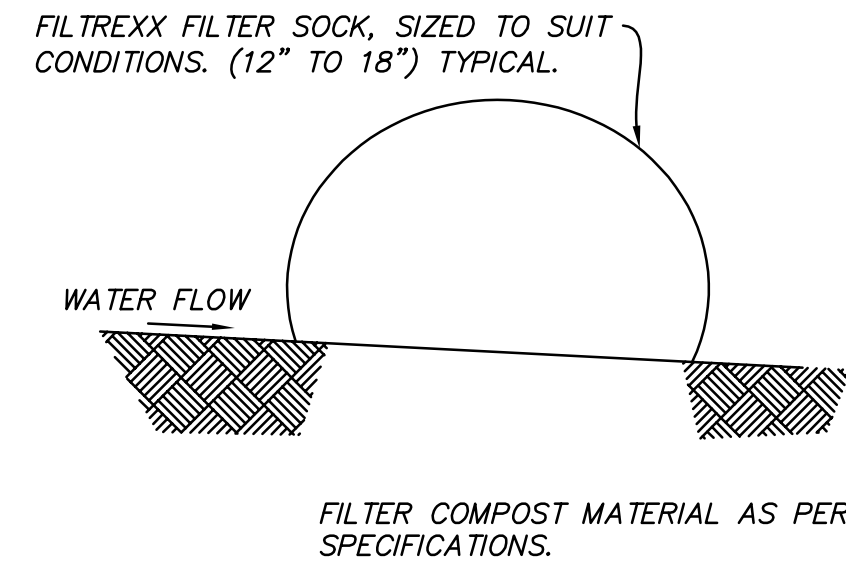




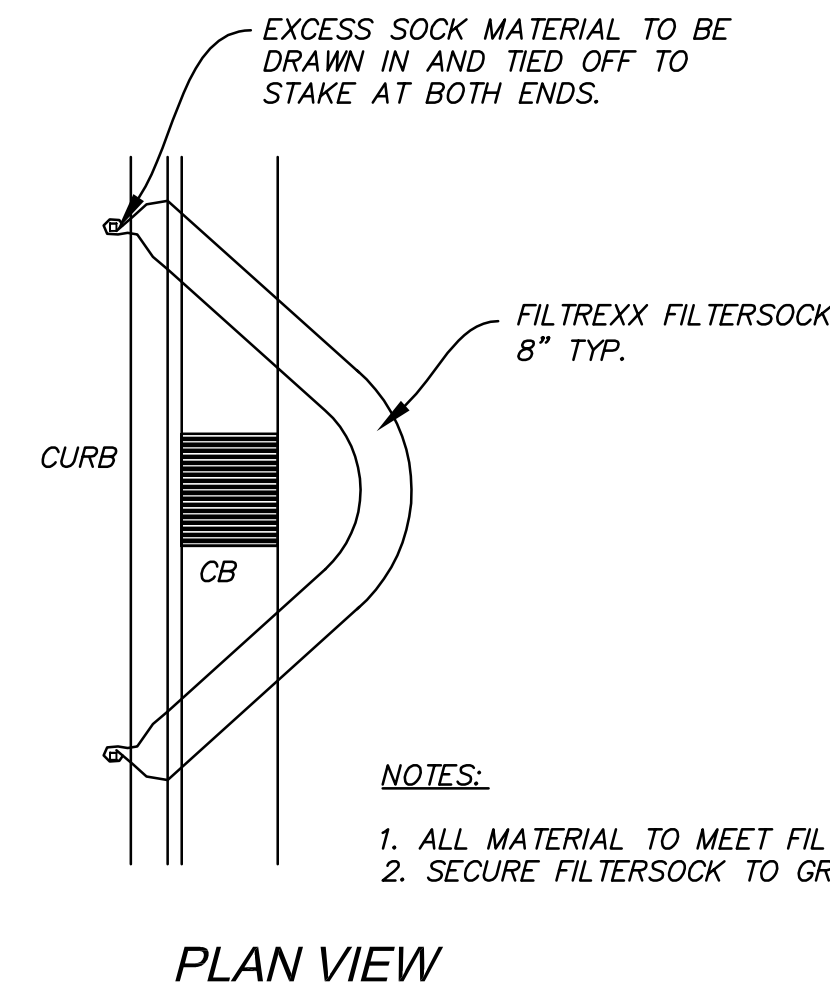


**MM VAR** STABILIZED CONSTRUCTION ENTRANCE  
NOT TO SCALE

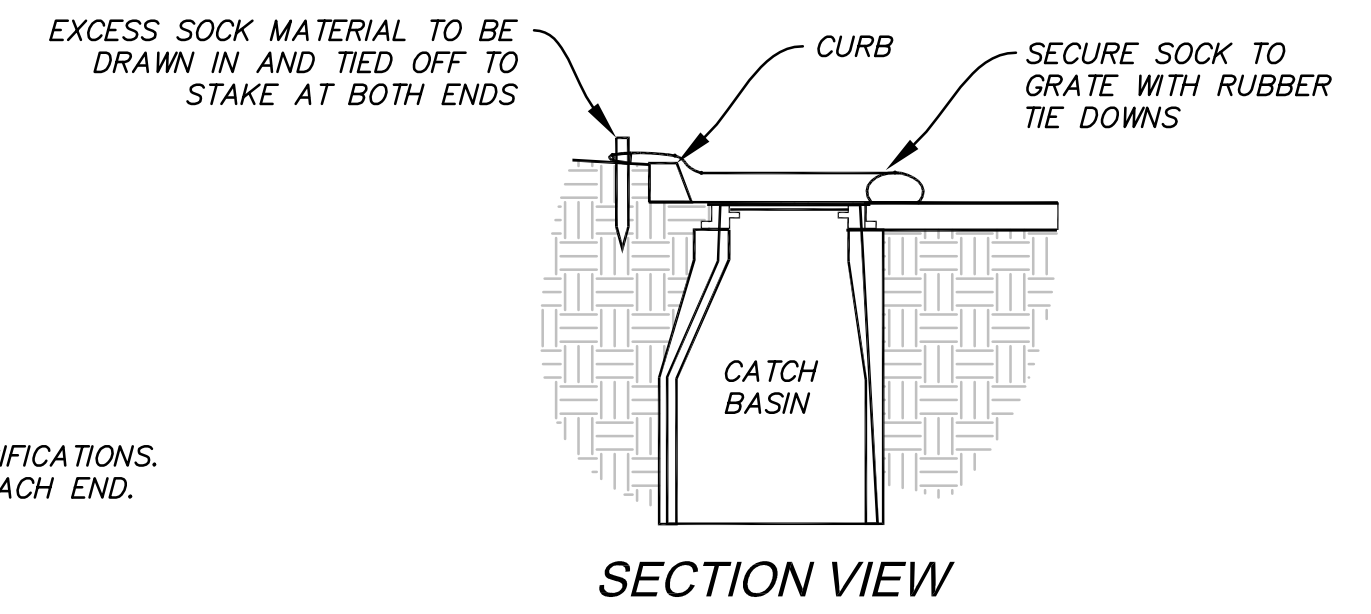
- NOTES:**
1. ALL MATERIAL TO MEET FILTREXX SPECIFICATIONS.
  2. THE CONTRACTOR SHALL MAINTAIN THE COMPOST FILTER BERM IN A FUNCTIONAL CONDITION AT ALL TIMES AND IT SHALL BE ROUTINELY INSPECTED.
  3. BERM WILL BE REGULARLY INSPECTED AND REPAIRED AS NECESSARY.
  4. THE CONTRACTOR SHALL REMOVE SEDIMENT COLLECTED AT THE BASE OF THE BERM WHEN THEY REACH 1/3 OF THE EXPOSED HEIGHT OF THE BERM, OR AS DIRECTED BY THE ENGINEER.
  5. THE COMPOST FILTER BERM WILL BE DISPERSED ON SITE WHEN NO LONGER REQUIRED, AS DETERMINED BY THE ENGINEER.



**NN VAR** FILTREXX SEDIMENT CONTROL DETAIL  
NOT TO SCALE

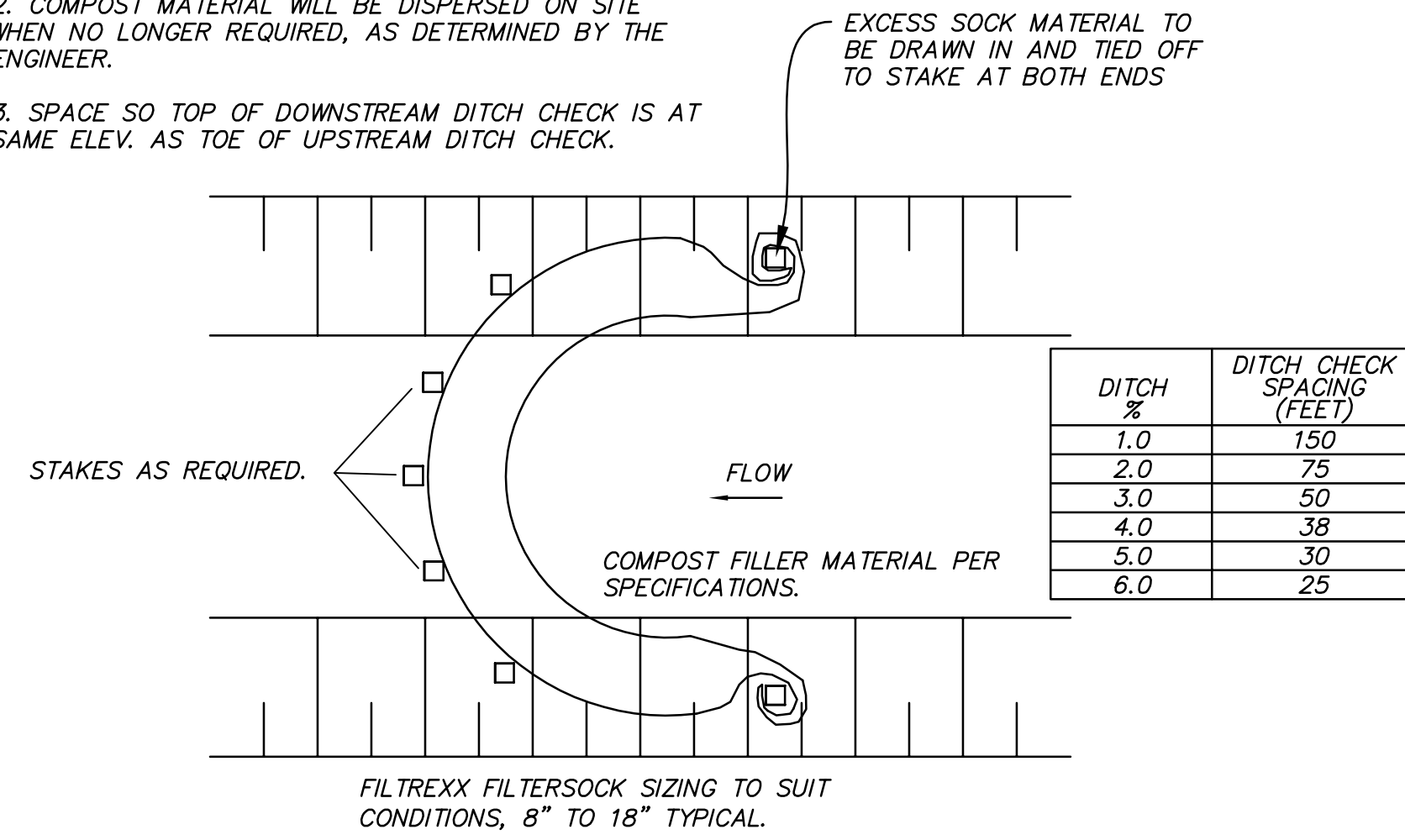


- NOTES:**
1. ALL MATERIAL TO MEET FILTREXX SPECIFICATIONS.
  2. SECURE FILTERSOCK TO GROUND AT EACH END.

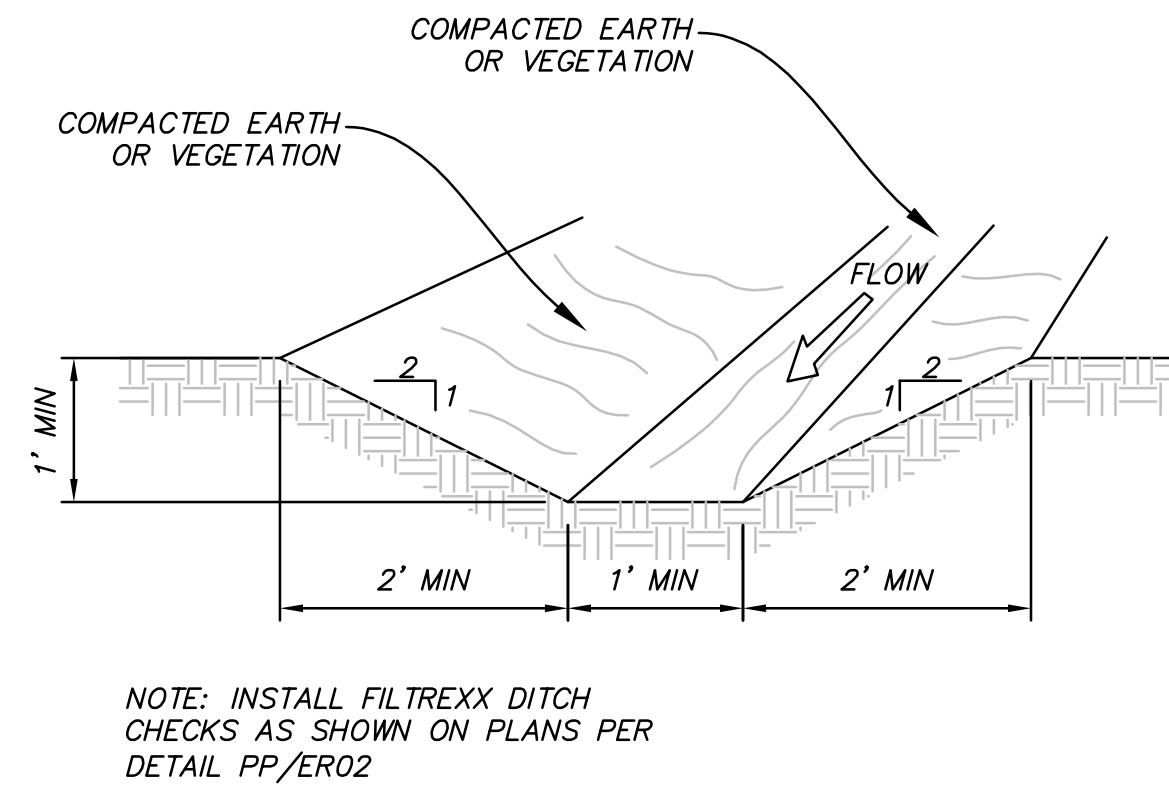


**QQ VAR** FILTREXX INLET PROTECTION -CURB INLET  
NOT TO SCALE

- NOTES:**
1. ALL MATERIAL TO MEET FILTREXX SPECIFICATIONS.
  2. COMPOST MATERIAL WILL BE DISPERSED ON SITE WHEN NO LONGER REQUIRED, AS DETERMINED BY THE ENGINEER.
  3. SPACE SO TOP OF DOWNSTREAM DITCH CHECK IS AT SAME ELEV. AS TOE OF UPSTREAM DITCH CHECK.

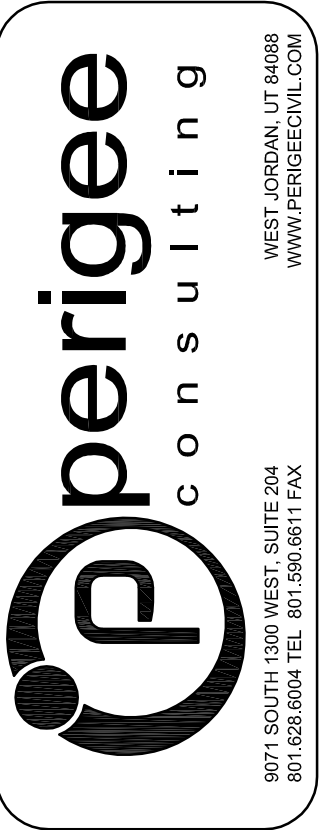


**PP VAR** TYPICAL FILTREXX DITCH CHECK  
NOT TO SCALE



**OO VAR** TEMPORARY INTERCEPTOR DITCH AND FILTREXX DITCH CHECK  
NOT TO SCALE

NOT FOR CONSTRUCTION



SOUTH JORDAN CITY

CITY ENGINEER DATE

NO.	DATE	DESCRIPTION	MARK	APP.

DESIGNED BY: JTA	DATE: MAY 2013	REV:
DRAWN BY: AMM	CHECKED BY: JAXX	SUBMITTENCE NO: 00262
SUBMITTED BY: N:\VOR182_Daybreak\Village4\WMP\CP16-DT03	CONTRACT NO: 00262	FILE NAME: N:\VOR182_Daybreak\Village4\WMP\CP16-DT03
SIZE: ANS I D	PLOTTED BY: 6/4/2013 3:26:33 PM	PLLOT DATE: 6/4/2013 3:26:33 PM

DAYBREAK  
VILLAGE 4 WEST PLAT 2  
DETAILS

SHEET NUMBER  
16  
OF 16 SHEETS  
DRAWING NAME  
DT03