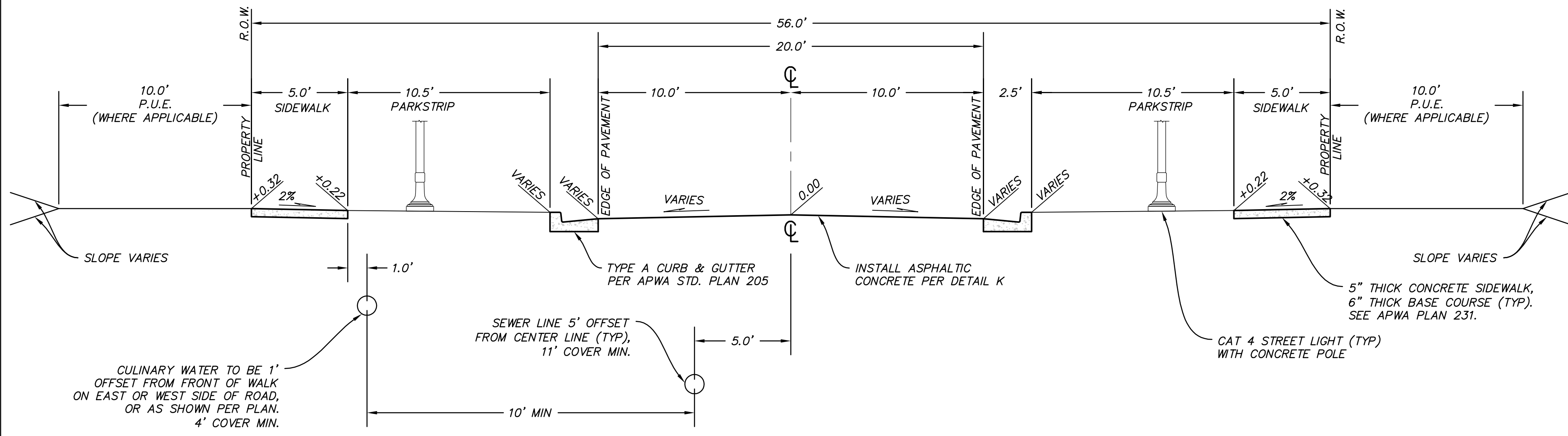
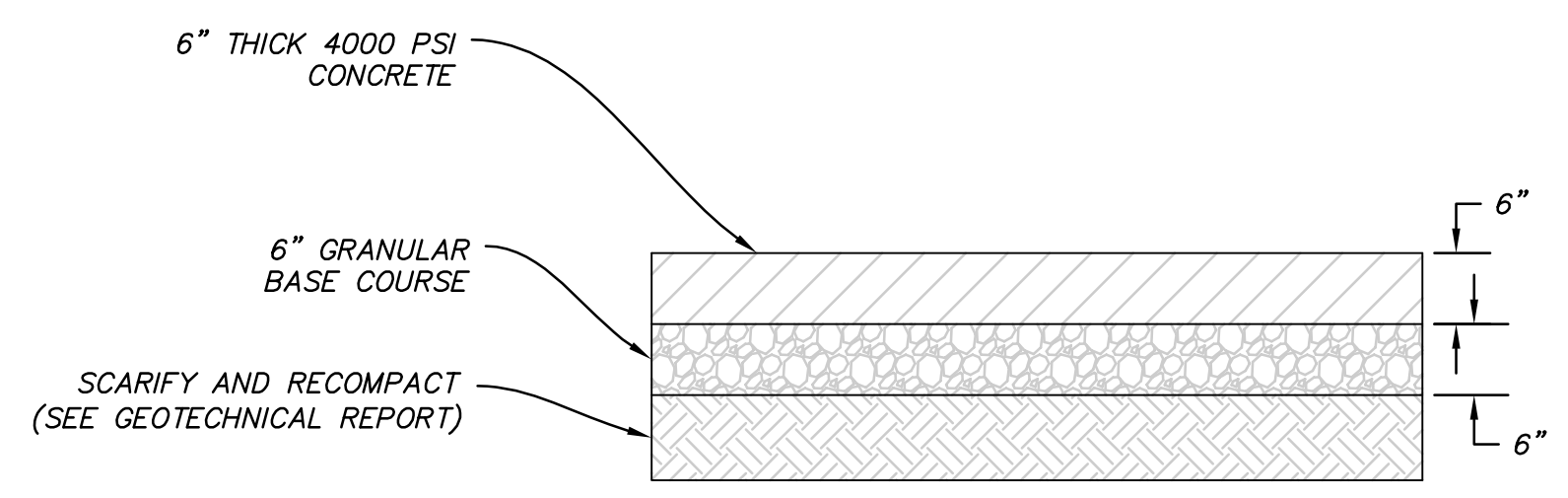


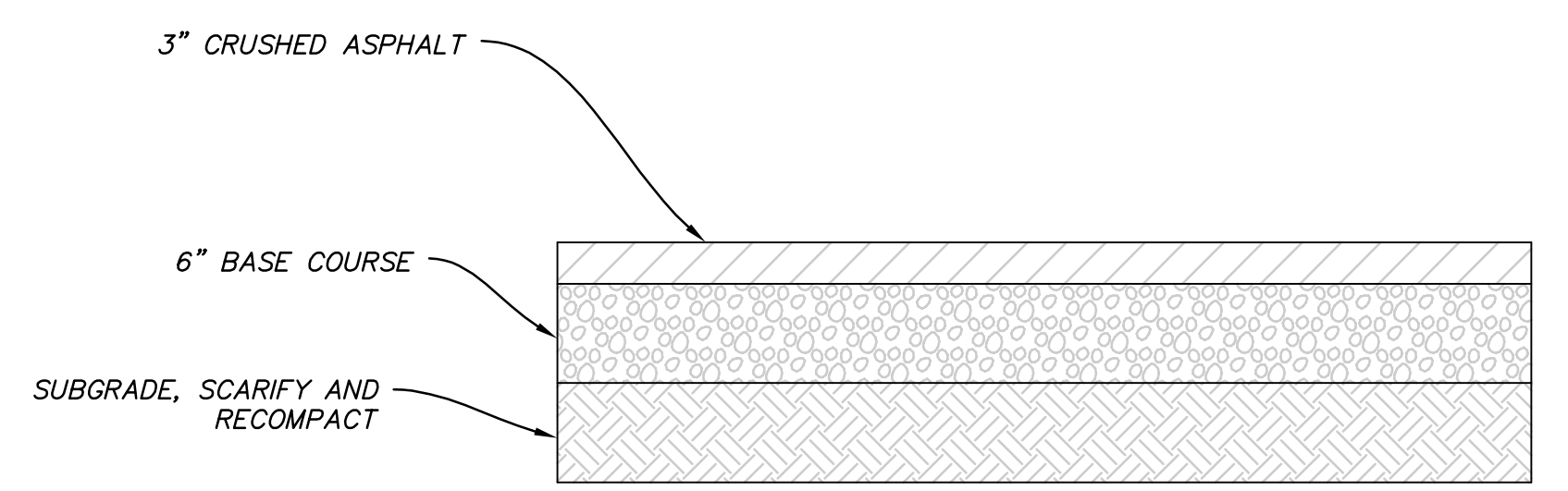
RESIDENTIAL - 56' ROW
BEACH COMBER WAY STA: 14+96.11 TO 22+59.48
 (A) VAR SCALE: 1" = 4'



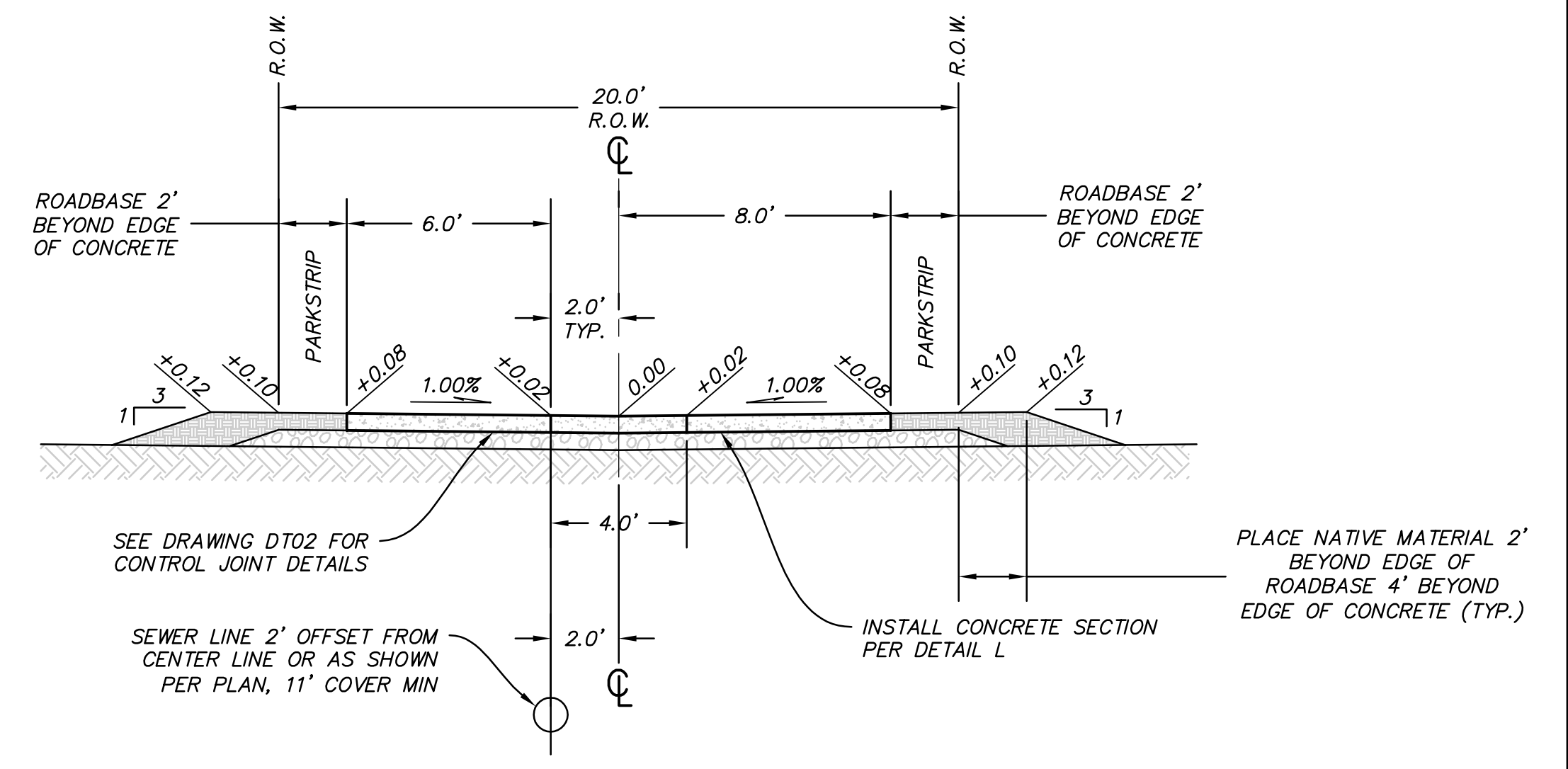
RESIDENTIAL BUMP OUT - 56' ROW
BEACH COMBER WAY STA: 22+66.63 TO 22+84.13
 (B) VAR SCALE: 1" = 4'



(L) PAVEMENT SECTION (LANES)
 VAR SCALE: N.T.S.

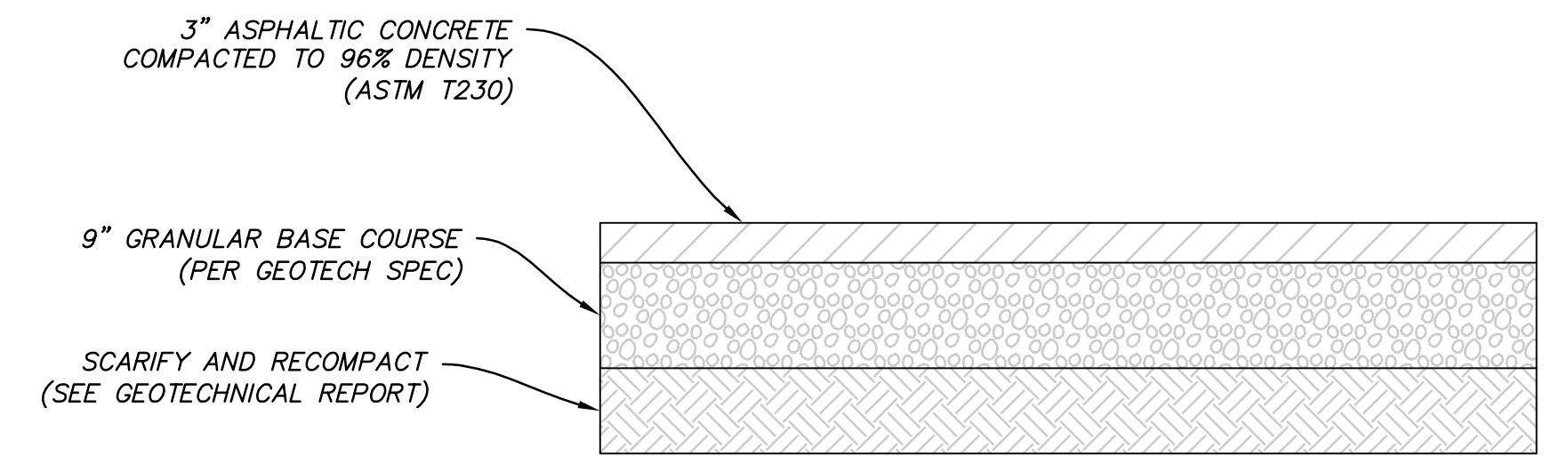


(M) TEMPORARY TURNAROUND PAVEMENT SECTION
 VAR SCALE: N.T.S.

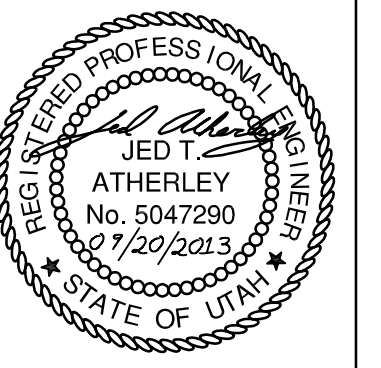
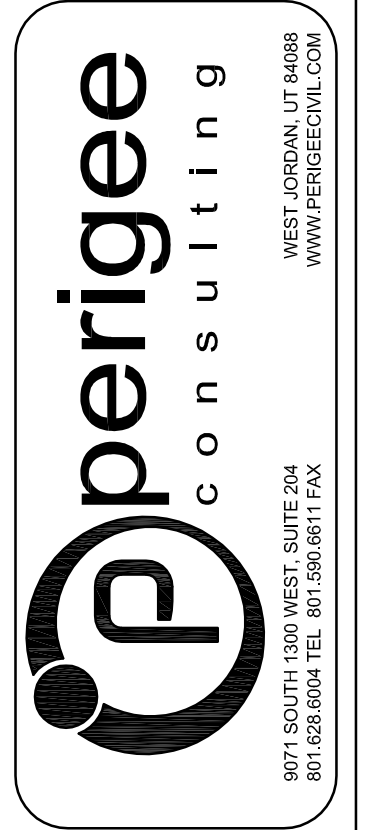


(J) LANE - 20' ROW
 VAR SCALE: 1" = 4'

- ROADWAY SECTION NOTES:**
1. ALL ROADS HAVE CUT AND FILL SLOPES OF 3:1 UNLESS NOTED ON PLANS. ALL FILLS MUST BE APPROVED BY THE CITY ENGINEER PRIOR TO PLACEMENT.
 2. CONTRACTOR TO COMPLY WITH THE RECOMMENDATIONS PROVIDED BY THE GEOTECHNICAL ENGINEER FOR THIS PROJECT REGARDING SITE PREPARATION, GRADING, COMPACTION ETC.
 3. ALL STREET LIGHTS SHALL BE INSTALLED WITH LIGHT CONCRETE PEDESTAL AS PER SOUTH JORDAN CITY STANDARD DETAIL, "STREET LIGHT DETAIL, LIGHT PEDESTAL DETAIL, CATEGORY 1, 2, 3 & 4."
 4. COMPACT PER APWA SECTION 02324 TO A MODIFIED PROCTOR DENSITY OF 96% OR GREATER.
 5. SIDEWALK AND PARK STRIP LOCATIONS VARY. SEE STREET PLANS FOR SIDEWALK LOCATIONS.
 6. COLD WEATHER PAVING APPROVAL WILL BE REQUIRED BY SJC AFTER OCTOBER 15
 7. PAVEMENT SECTIONS BASED ON DAYBREAK LAKE VILLAGE GEOTECHNICAL REPORT. AMEC NO. 12-817-05344



(K) PAVEMENT SECTION (RESIDENTIAL)
 VAR SCALE: N.T.S.



SOUTH JORDAN CITY
 CITY ENGINEER DATE

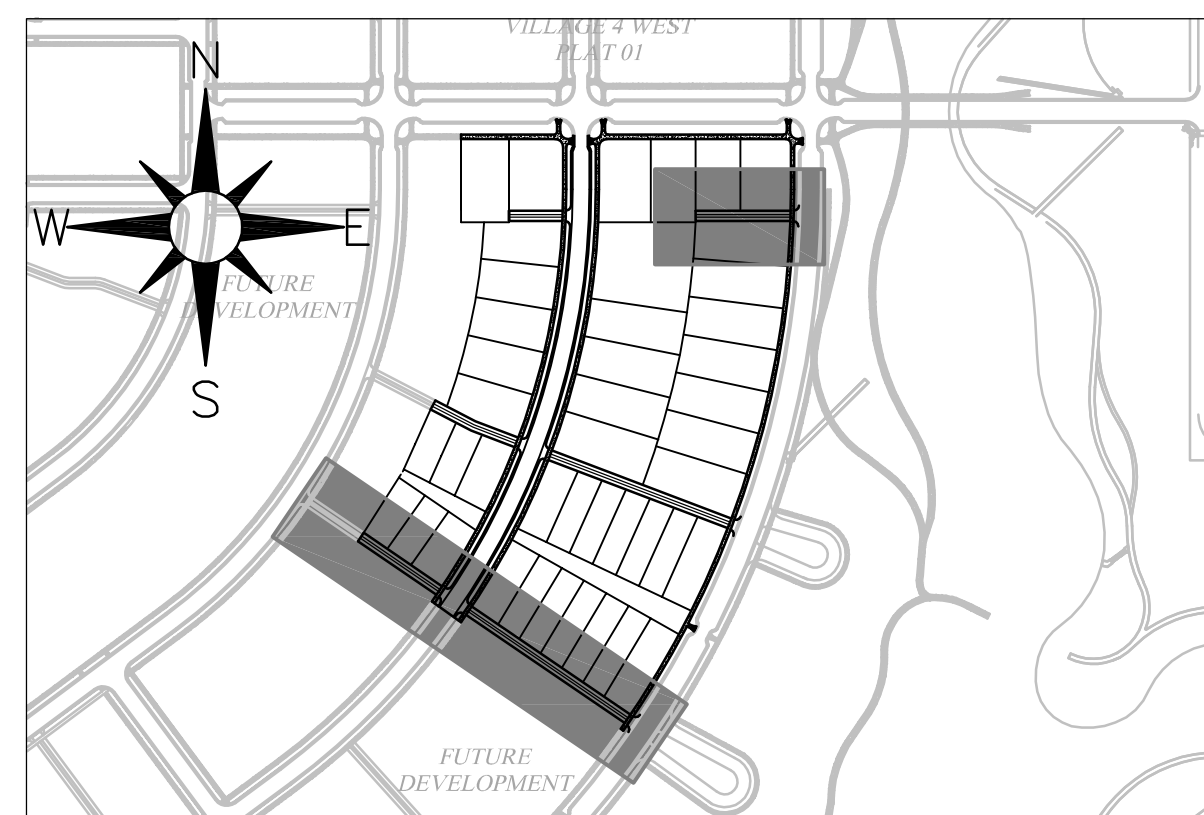
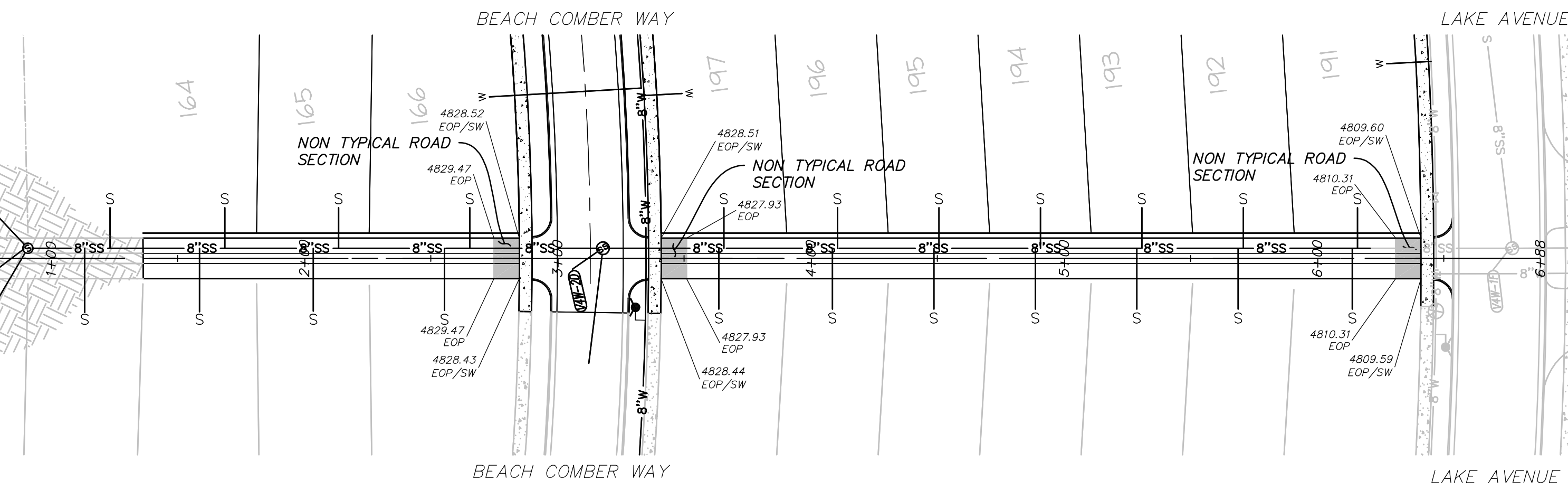
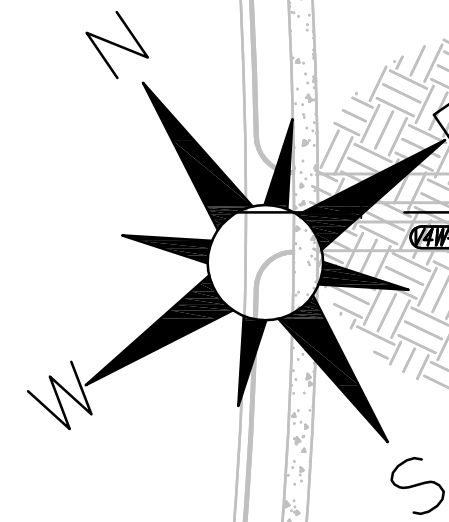
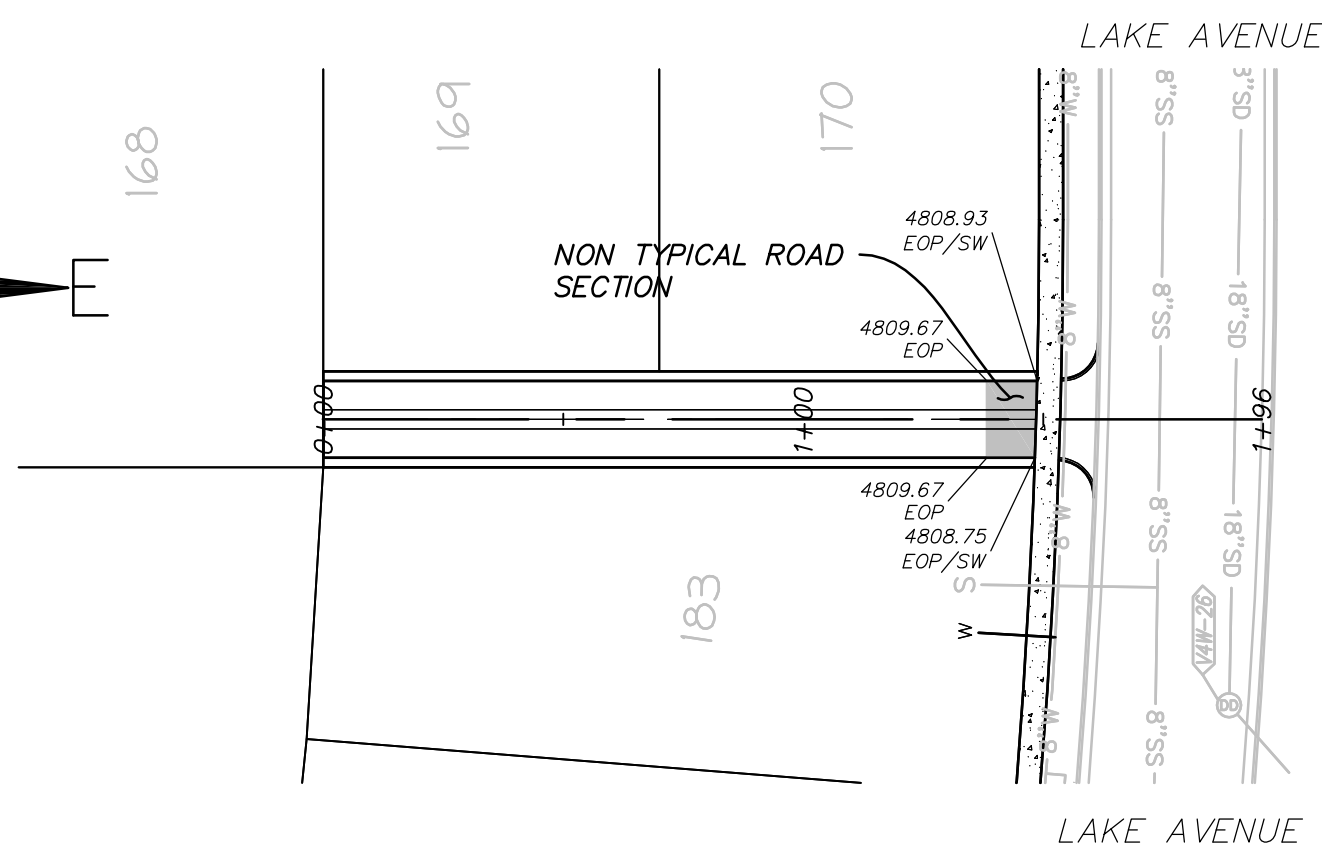
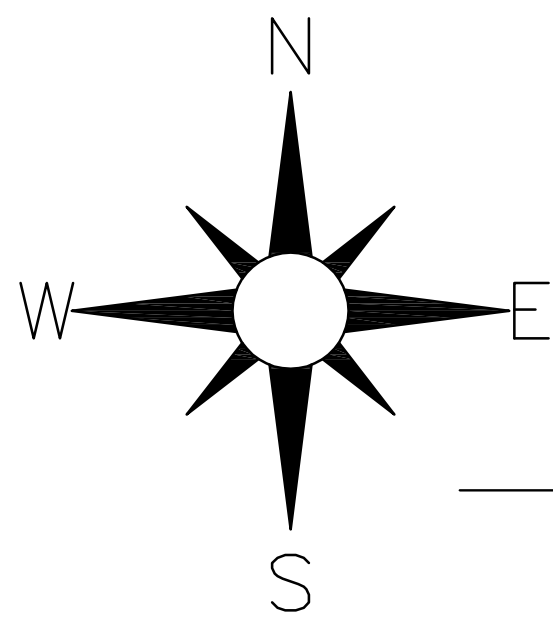
NO.	DATE	DESCRIPTION	BY	APPV.

DESIGNED BY: JTA	DATE: SEPT. 2013	REV:
DRAWN BY: JAH	SUBMITTEND NO: XXX	
CHECKED BY: JAH	CONTRACT NO: 00282	
FILE NAME: N:\0182_Daybreak\00282\DWG\03.DWG	PROJECT DATE: 12/2/2014 10:01:29 AM	
SIZE: ANSI D	PLOTTED BY:	

DAYBREAK VILLAGE 4 WEST PLAT 2
 TYPICAL ROAD SECTIONS

SHEET NUMBER **05**
 OF 16 SHEETS
 DRAWING NAME **GN03**



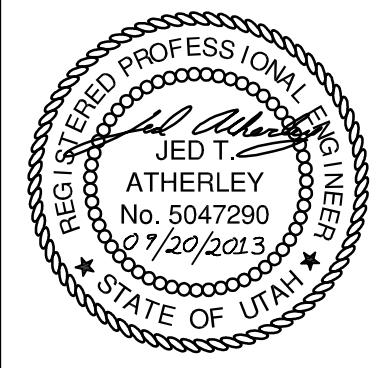
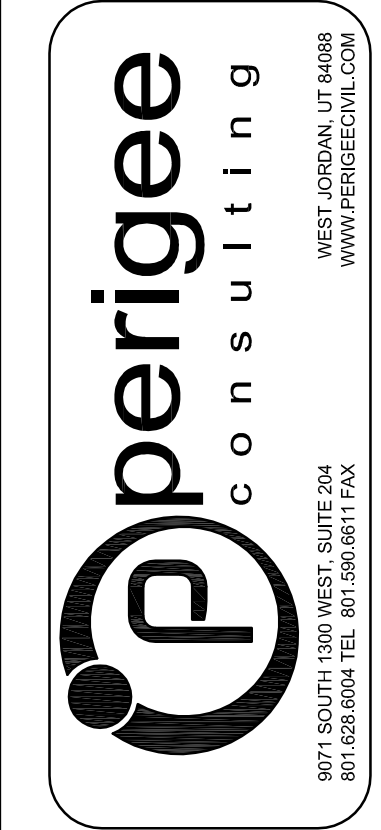
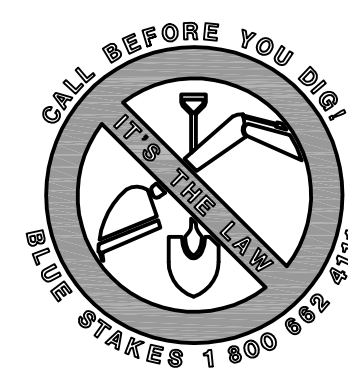
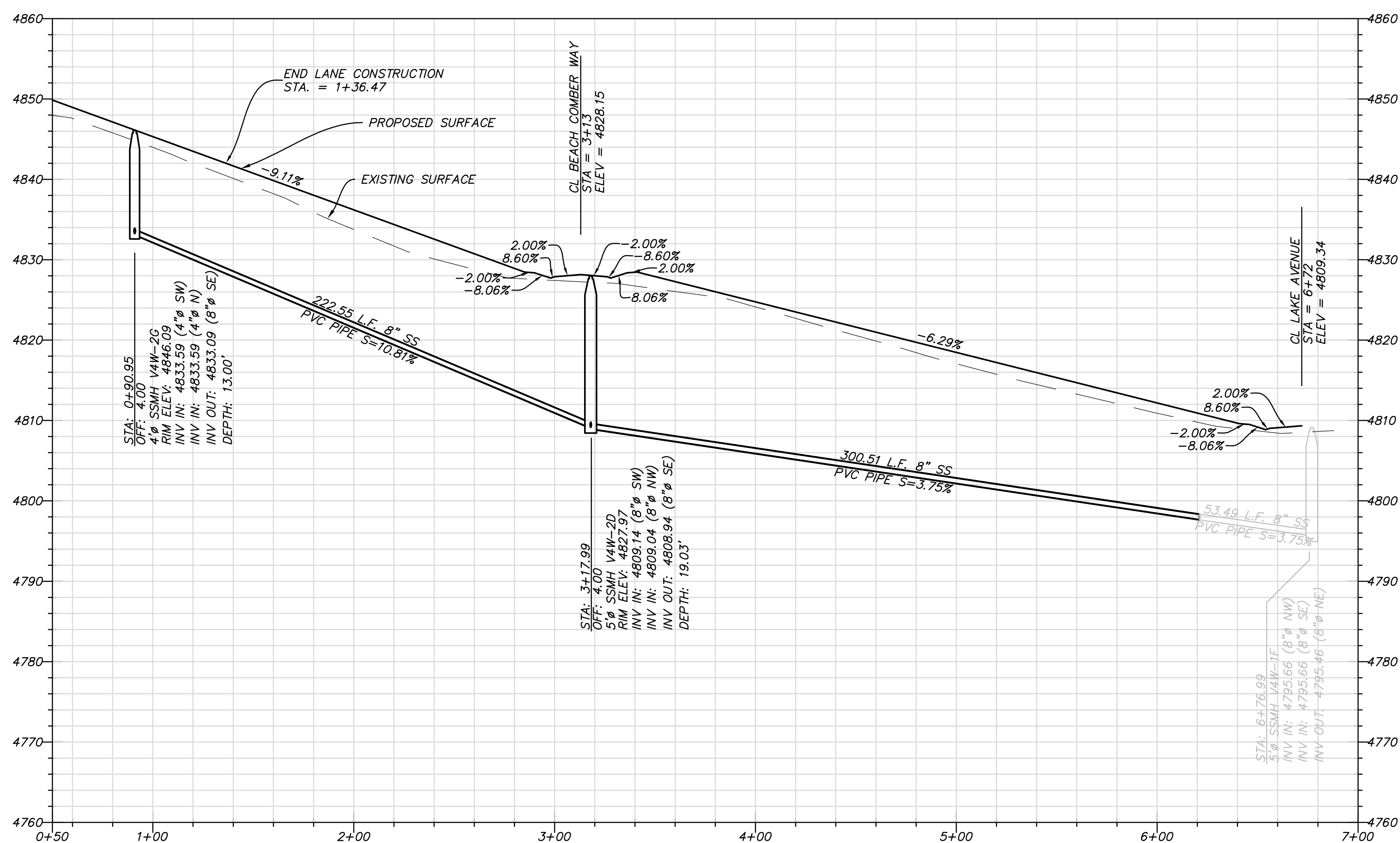
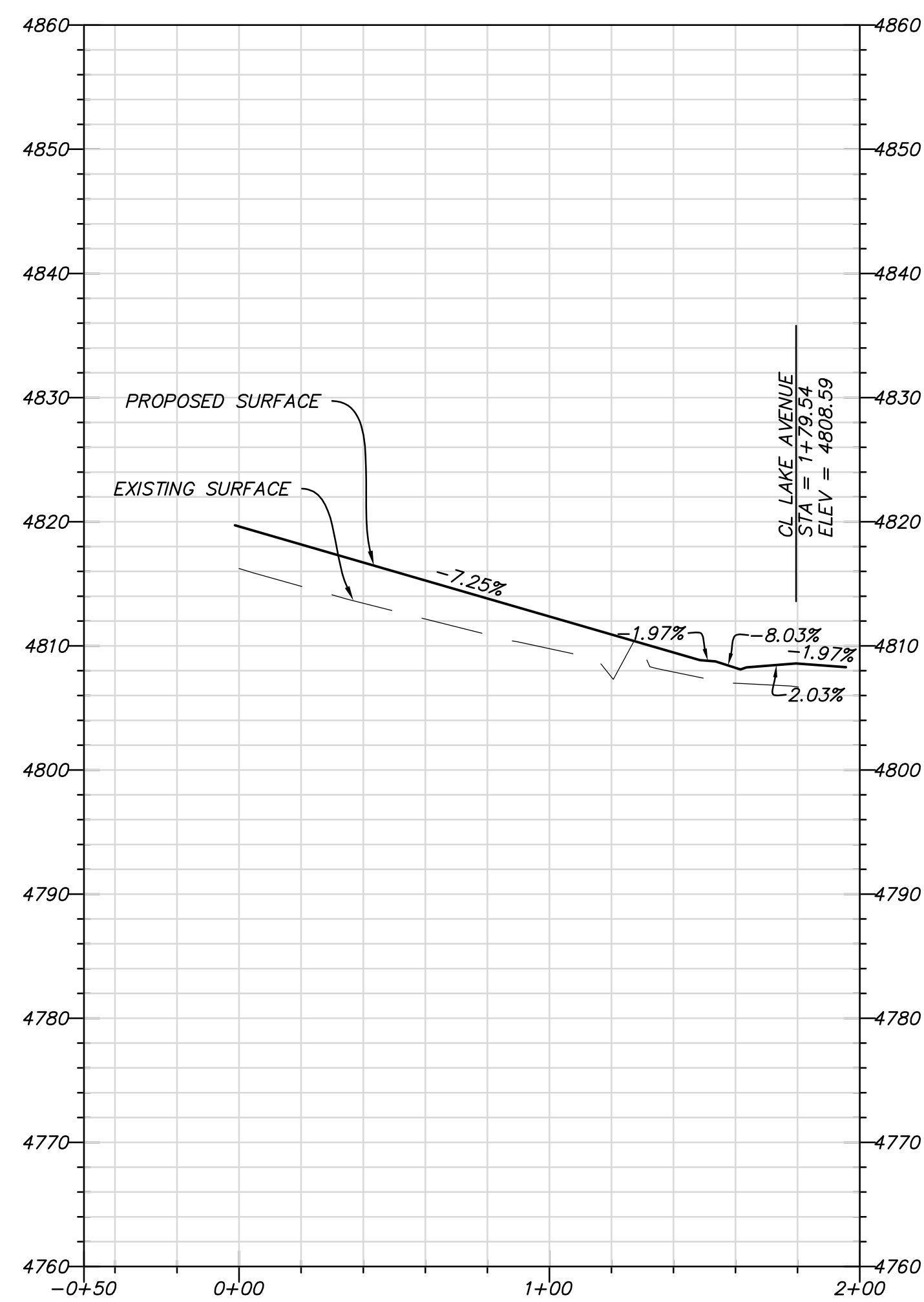


PRIVATE DRIVEWAY 02

STA: -0+50 TO 2+00

WET LANE

STA: 0+50 TO 7+00



SOUTH JORDAN CITY

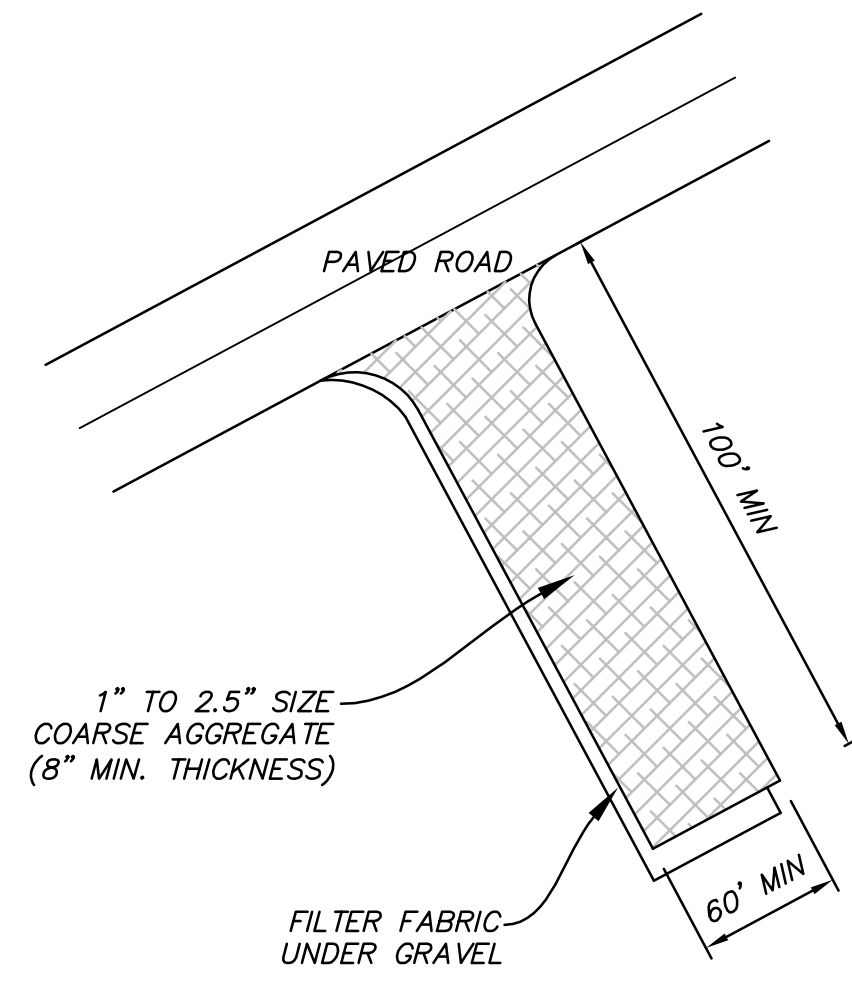
Paul Klavon
CITY ENGINEER DATE

NO.	DATE	DESCRIPTION	BY	APP.

DESIGNED BY: JTA	DATE: SEPT. 2013	REV:
DRAWN BY: AMM	CHECKED BY: JXX	SUBMITTAL NO: 00282
FILE NAME: N:\0182_Duplex\04\04\WMP\12_PP04	PLOTTED BY: ANB/D	PLLOT DATE: 12/2/2014 10:04:28 AM
SIZE: 11x17	SCALE: 1/8"=1'-0"	DATE: 12/2/2014 10:04:28 AM

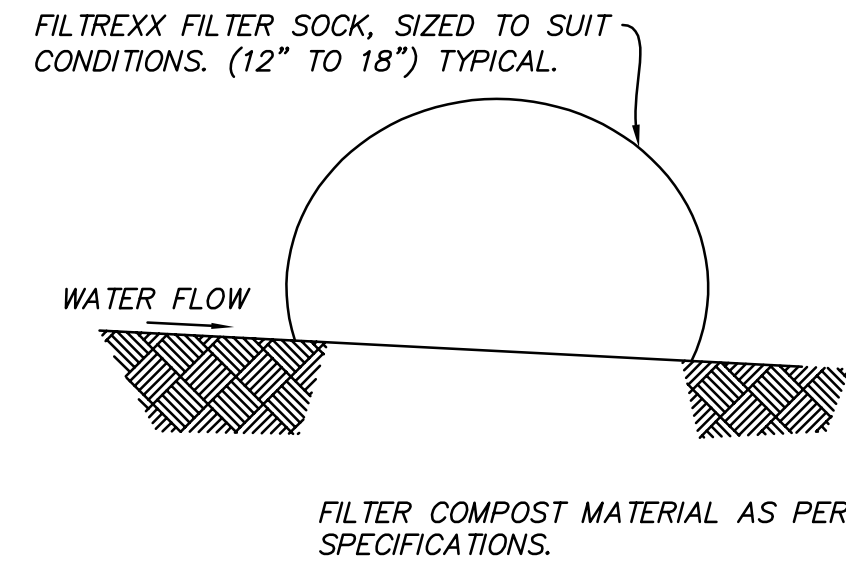
DAYBREAK
VILLAGE 4 WEST PLAT 2
PLAN AND PROFILE
PRIVATE DRIVEWAY 02
& WET LANE

SHEET NUMBER
12
OF 16 SHEETS
DRAWING NAME
PP04

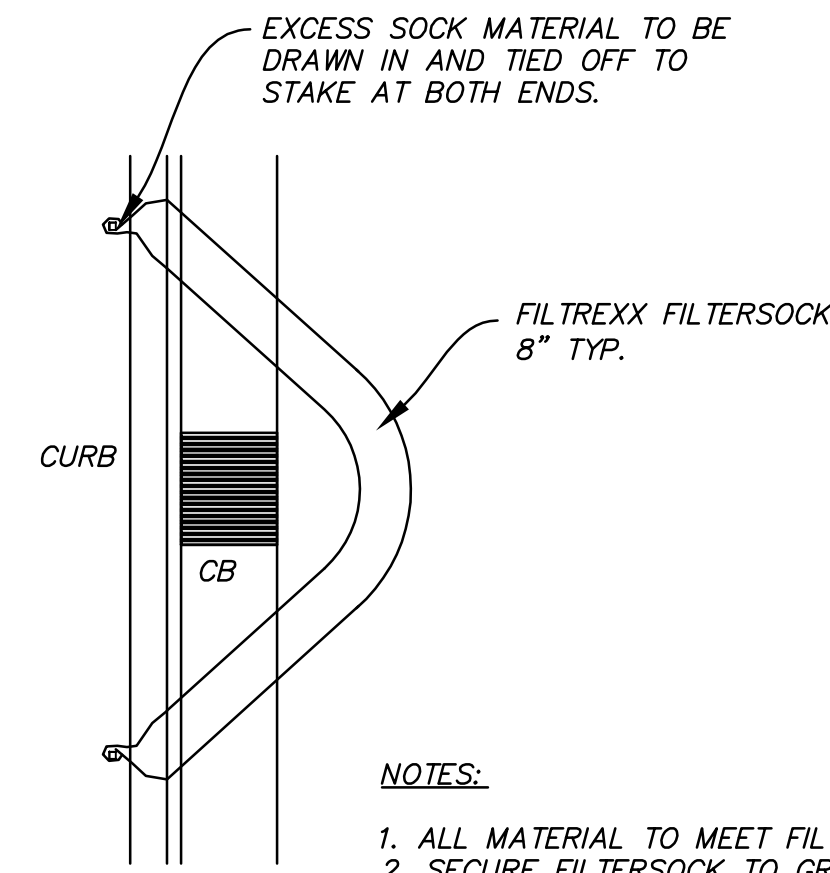


MM VAR STABILIZED CONSTRUCTION ENTRANCE
NOT TO SCALE

- NOTES:**
1. ALL MATERIAL TO MEET FILTREXX SPECIFICATIONS.
 2. THE CONTRACTOR SHALL MAINTAIN THE COMPOST FILTER BERM IN A FUNCTIONAL CONDITION AT ALL TIMES AND IT SHALL BE ROUTINELY INSPECTED.
 3. BERM WILL BE REGULARLY INSPECTED AND REPAIRED AS NECESSARY.
 4. THE CONTRACTOR SHALL REMOVE SEDIMENT COLLECTED AT THE BASE OF THE BERM WHEN THEY REACH 1/3 OF THE EXPOSED HEIGHT OF THE BERM, OR AS DIRECTED BY THE ENGINEER.
 5. THE COMPOST FILTER BERM WILL BE DISPERSED ON SITE WHEN NO LONGER REQUIRED, AS DETERMINED BY THE ENGINEER.

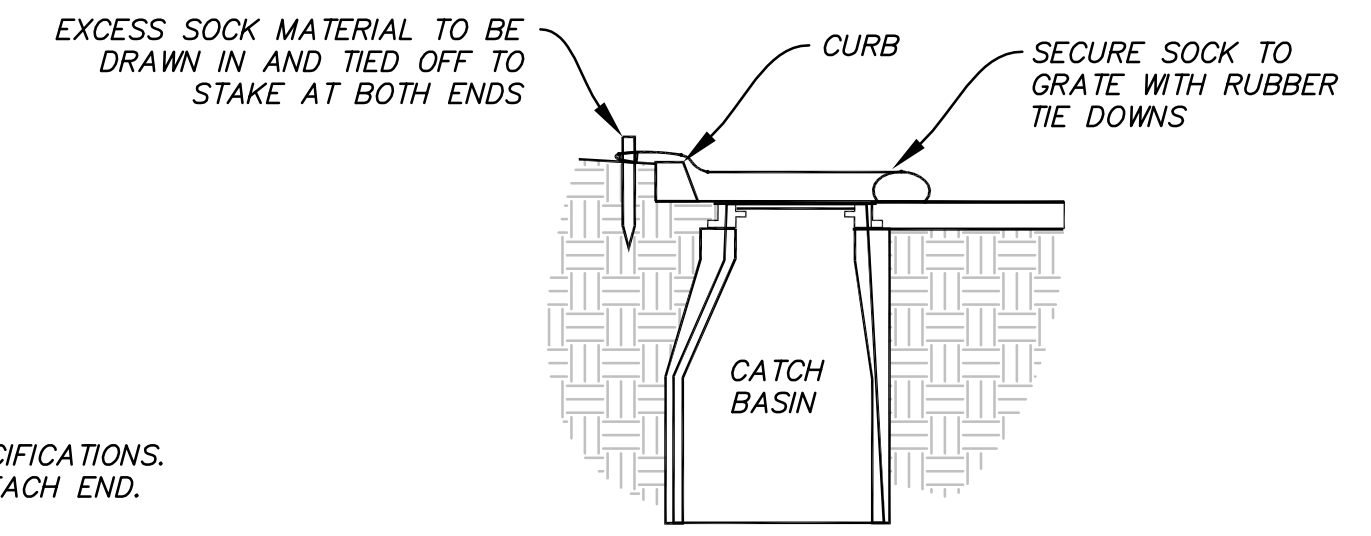


NN VAR FILTREXX SEDIMENT CONTROL DETAIL
NOT TO SCALE



- NOTES:**
1. ALL MATERIAL TO MEET FILTREXX SPECIFICATIONS.
 2. SECURE FILTERSOCK TO GROUND AT EACH END.

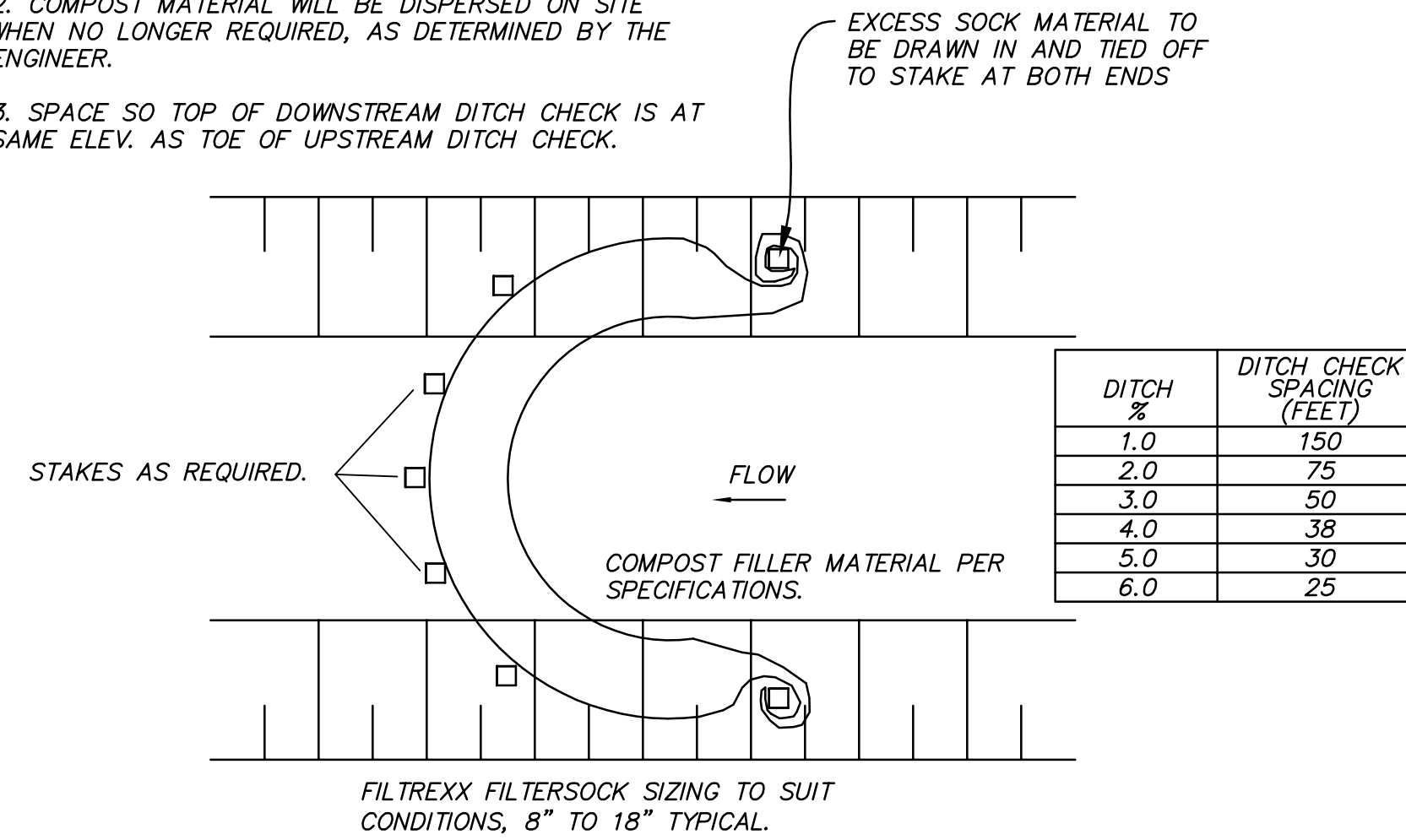
PLAN VIEW



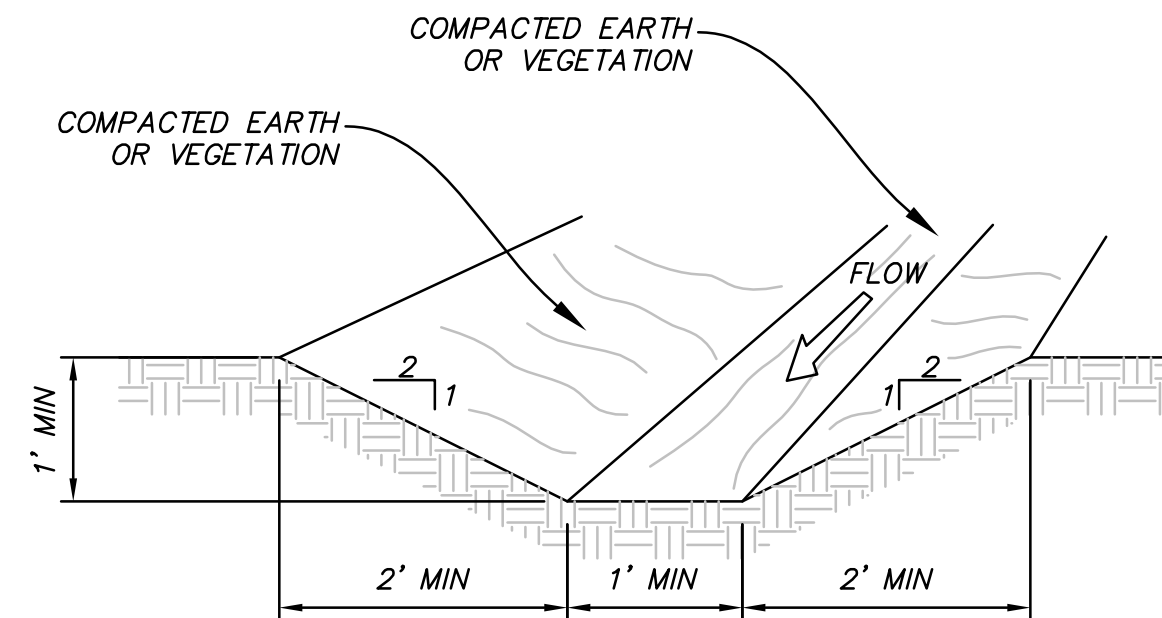
SECTION VIEW

QQ VAR FILTREXX INLET PROTECTION -CURB INLET
NOT TO SCALE

- NOTES:**
1. ALL MATERIAL TO MEET FILTREXX SPECIFICATIONS.
 2. COMPOST MATERIAL WILL BE DISPERSED ON SITE WHEN NO LONGER REQUIRED, AS DETERMINED BY THE ENGINEER.
 3. SPACE SO TOP OF DOWNSTREAM DITCH CHECK IS AT SAME ELEV. AS TOE OF UPSTREAM DITCH CHECK.



PP VAR TYPICAL FILTREXX DITCH CHECK
NOT TO SCALE



NOTE: INSTALL FILTREXX DITCH CHECKS AS SHOWN ON PLANS PER DETAIL PP/ER02

OO VAR TEMPORARY INTERCEPTOR DITCH AND FILTREXX DITCH CHECK
NOT TO SCALE

NO.	DATE	DESCRIPTION	BY	APP.

DESIGNED BY: JTA	DATE: SEPT. 2013	REV:
DRAWN BY: JAM	PROJECT NUMBER: XXX	
SUBMITTED BY: JAM	CONTRACT NO: 00282	
FILE NAME: N:\00182_Dupirena\00282\PA\WMP\218_DT03	PROJECT DATE: 12/2/2014 10:06:02 AM	
SIZE: ANS I D	PLOTTED BY:	

