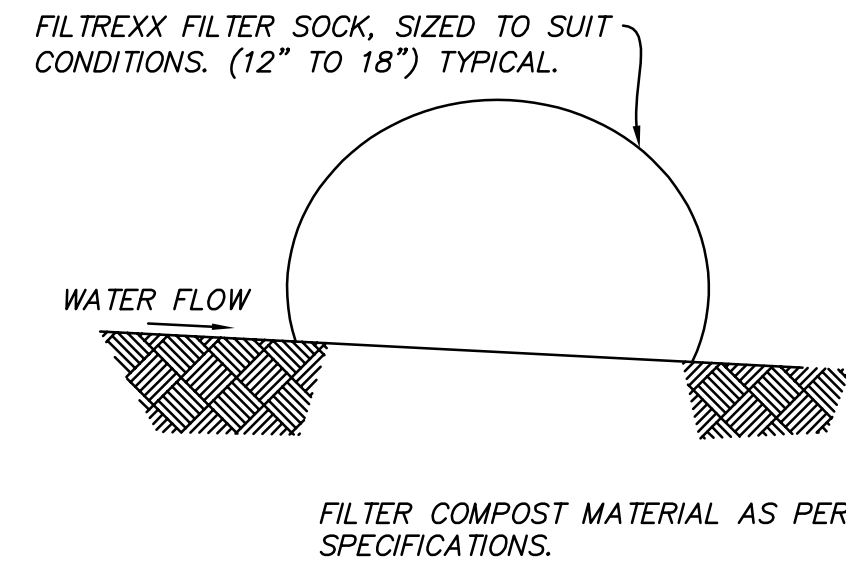
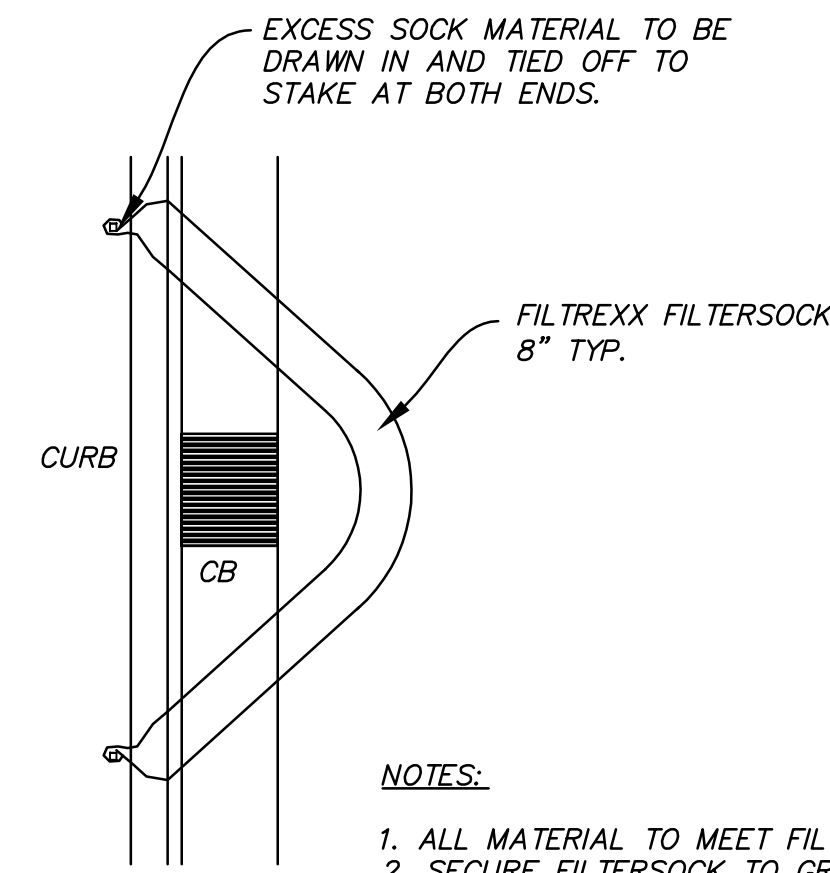


**MM VAR STABILIZED CONSTRUCTION ENTRANCE**  
NOT TO SCALE

- NOTES:**
1. ALL MATERIAL TO MEET FILTREXX SPECIFICATIONS.
  2. THE CONTRACTOR SHALL MAINTAIN THE COMPOST FILTER BERM IN A FUNCTIONAL CONDITION AT ALL TIMES AND IT SHALL BE ROUTINELY INSPECTED.
  3. BERM WILL BE REGULARLY INSPECTED AND REPAIRED AS NECESSARY.
  4. THE CONTRACTOR SHALL REMOVE SEDIMENT COLLECTED AT THE BASE OF THE BERM WHEN THEY REACH 1/3 OF THE EXPOSED HEIGHT OF THE BERM, OR AS DIRECTED BY THE ENGINEER.
  5. THE COMPOST FILTER BERM WILL BE DISPERSED ON SITE WHEN NO LONGER REQUIRED, AS DETERMINED BY THE ENGINEER.

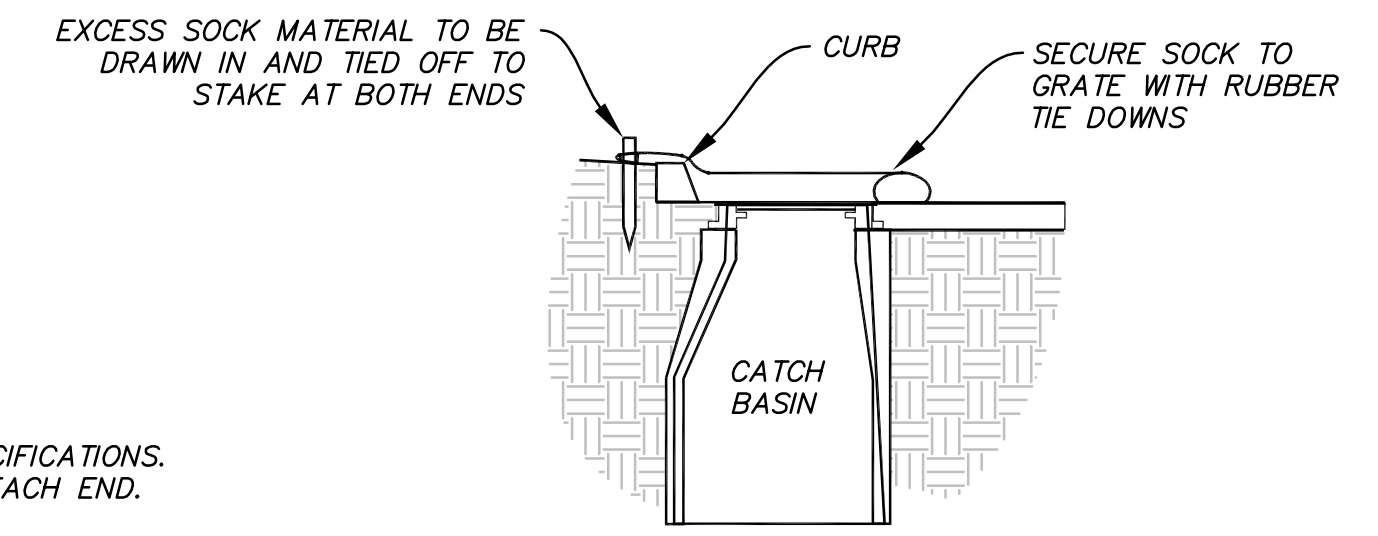


**NN VAR FILTREXX SEDIMENT CONTROL DETAIL**  
NOT TO SCALE



- NOTES:**
1. ALL MATERIAL TO MEET FILTREXX SPECIFICATIONS.
  2. SECURE FILTERSOCK TO GROUND AT EACH END.

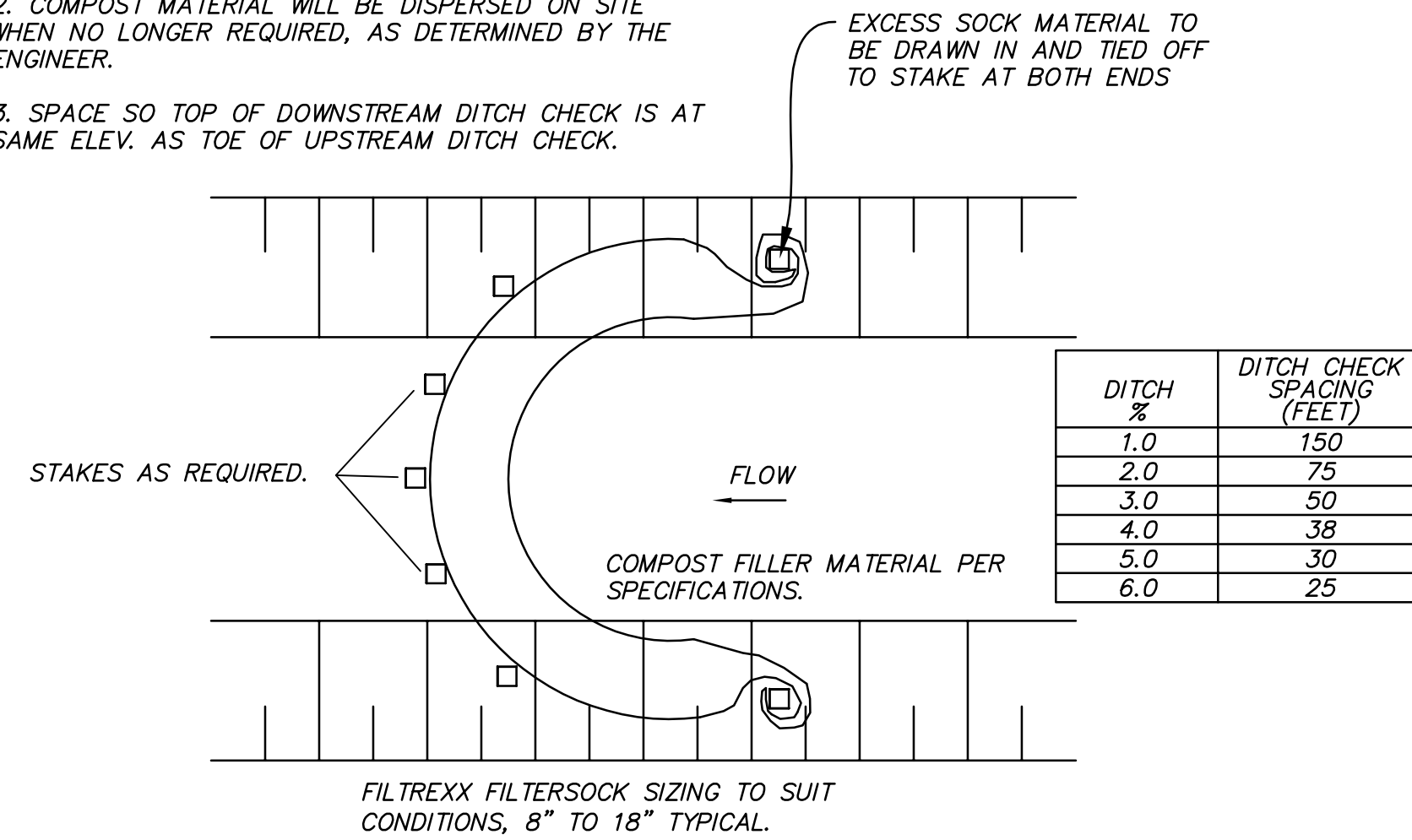
**PLAN VIEW**



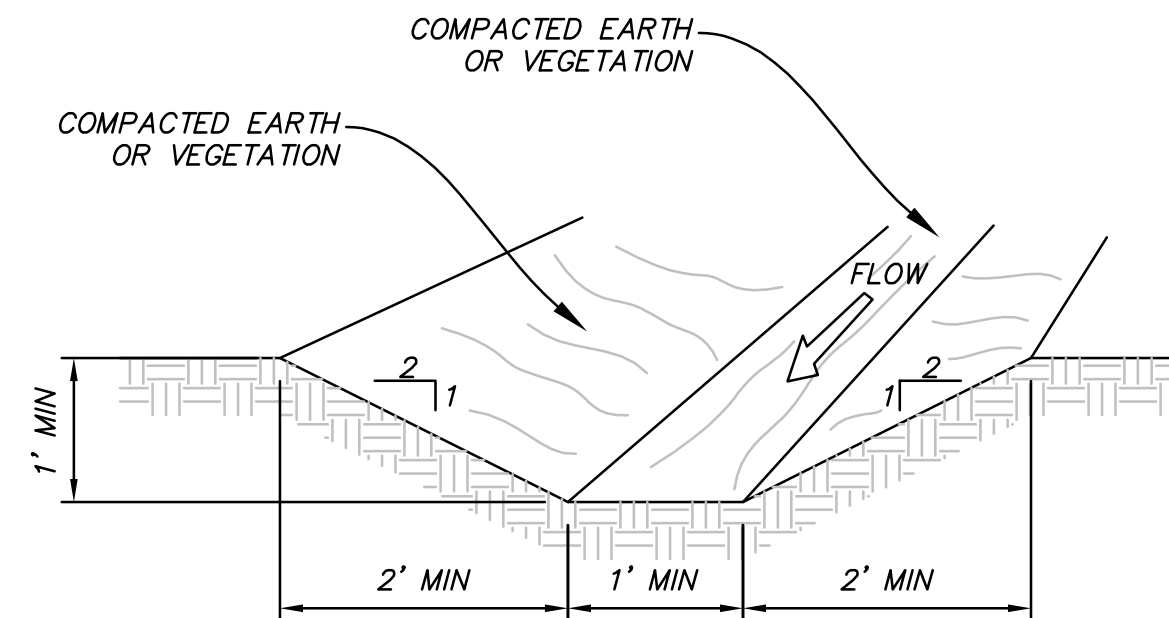
**SECTION VIEW**

**QQ VAR FILTREXX INLET PROTECTION -CURB INLET**  
NOT TO SCALE

- NOTES:**
1. ALL MATERIAL TO MEET FILTREXX SPECIFICATIONS.
  2. COMPOST MATERIAL WILL BE DISPERSED ON SITE WHEN NO LONGER REQUIRED, AS DETERMINED BY THE ENGINEER.
  3. SPACE SO TOP OF DOWNSTREAM DITCH CHECK IS AT SAME ELEV. AS TOE OF UPSTREAM DITCH CHECK.



**PP VAR TYPICAL FILTREXX DITCH CHECK**  
NOT TO SCALE



NOTE: INSTALL FILTREXX DITCH CHECKS AS SHOWN ON PLANS PER DETAIL PP/ER02

**OO VAR TEMPORARY INTERCEPTOR DITCH AND FILTREXX DITCH CHECK**  
NOT TO SCALE

MARK	DESCRIPTION	DATE	APPX.

DESIGNED BY: JTA	DATE: JUNE 2013	REV:
DRAWN BY: AML	CHECKED BY: JAX	SUBMITTAL NO: 00289
FILE NAME: N:\00182_Daybreak\VC01\VC01.dwg	CONTRACT NO: 00289	PLotted BY: ANS/D
SIZE: ANS/D	PLotted DATE: 6/19/2013 3:17:59 PM	

**DAYBREAK VC1 MF5 DETAILS**