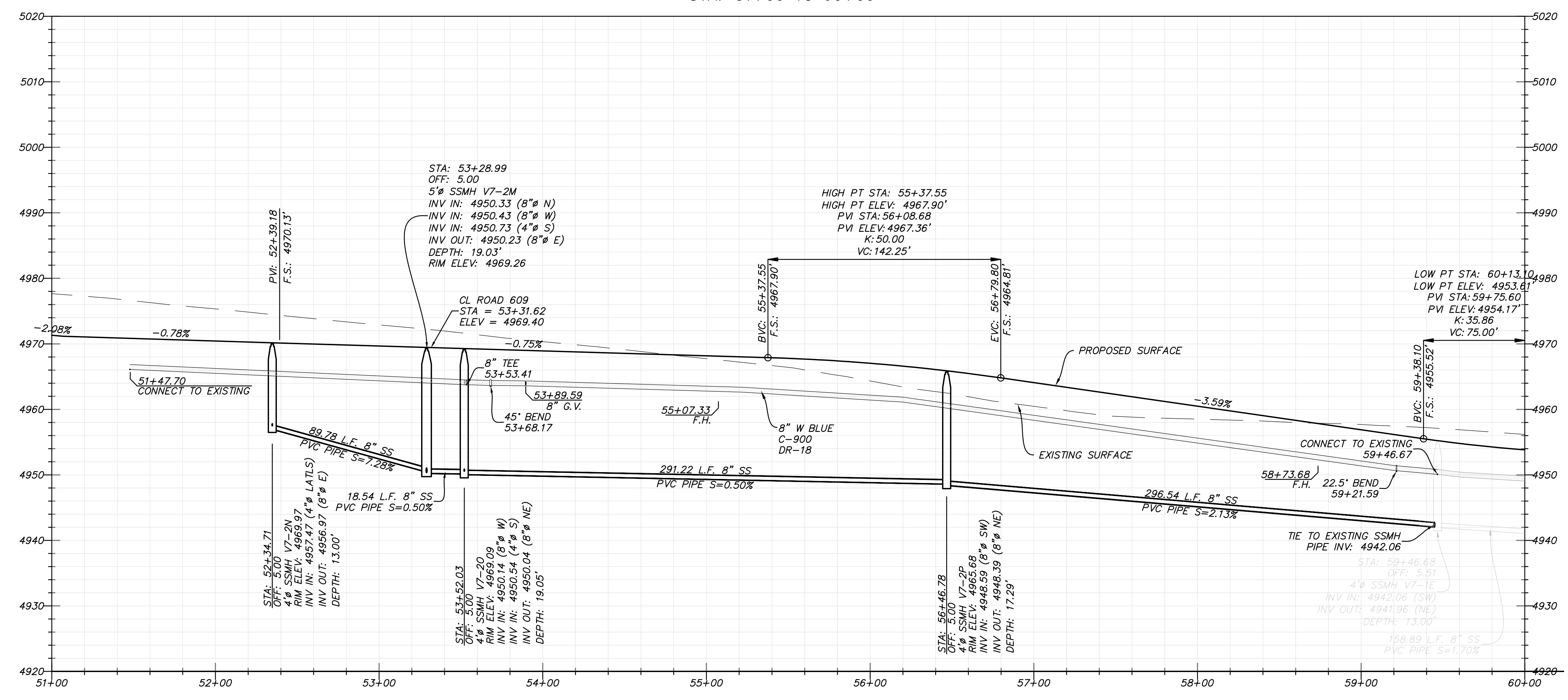


FOLLY ISLAND WAY
STA: 51+00 TO 60+00



SOUTH JORDAN CITY

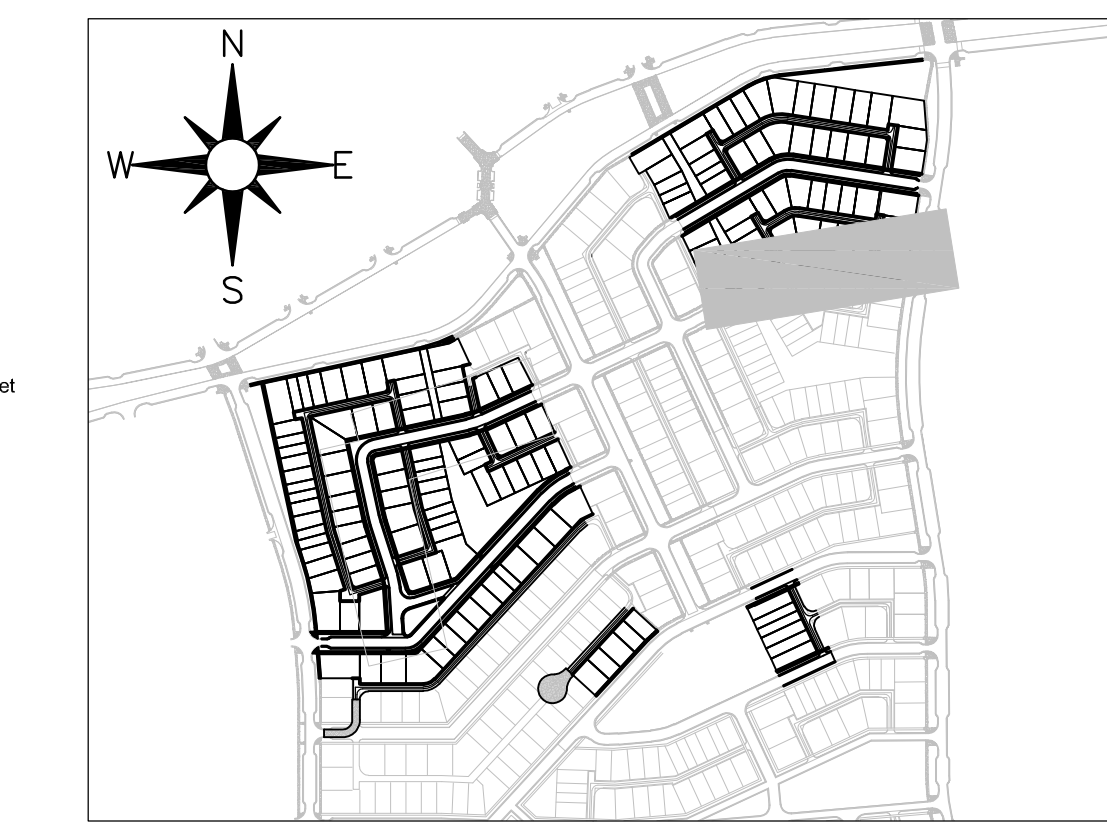
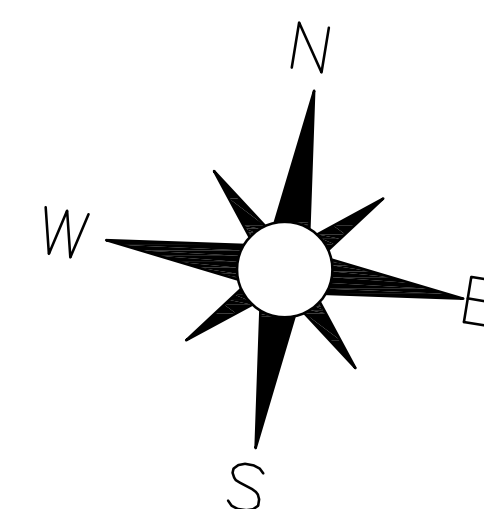
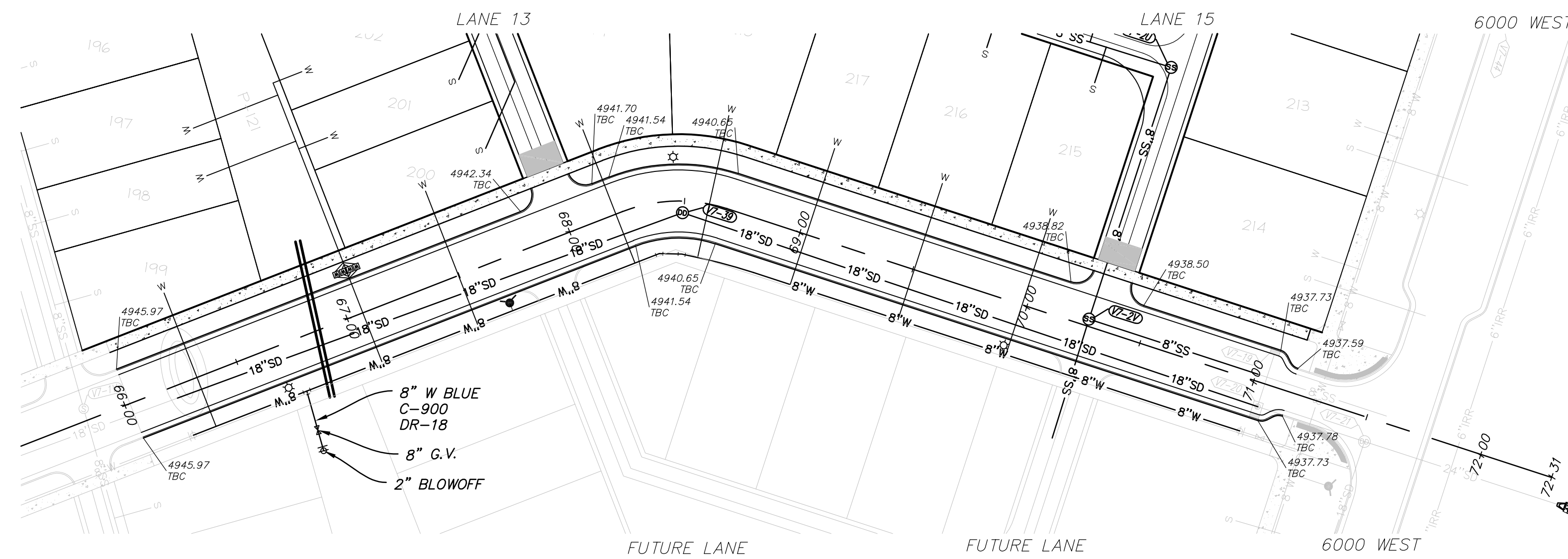
CITY ENGINEER	DATE	MARK	DESCRIPTION

DESIGNED BY: JTA	DATE: SEPT 2016	REV:
DRAWN BY: RPH	CAD FILE: XXX	
SUBMITTED BY: N. VOIRRE	CONTRACT NO: 00524	
FILE NAME: N:\VOIRRE_Design\Projects\13 PP03	PROJECT DATE: 10/11/2016	1:45:26 PM
SIZE: A3		

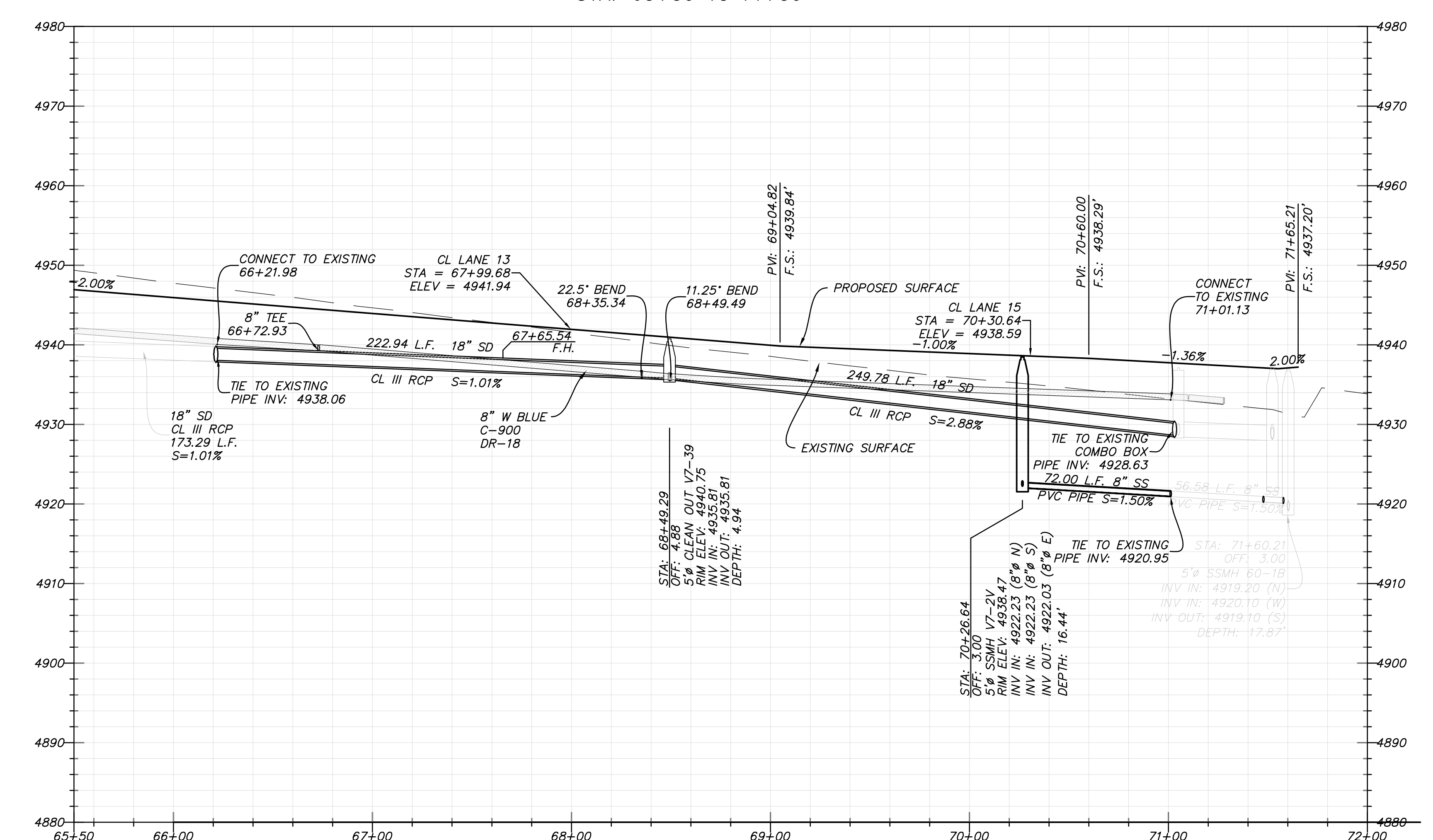
DAYBREAK
VILLAGE 7 PLAT 02
PLAN AND PROFILE -
FOLLY ISLAND WAY

SHEET NUMBER
13
OF 26 SHEETS
DRAWING NAME
PP03





WHISTLE STOP ROAD
STA: 65+50 TO 71+50



PERIGEE CONSULTING
CIVIL • STRUCTURAL • SURVEY

WEST JORDAN, UT 84088
907.528.6004 TEL. 801.556.0111 FAX
WWW.PERIGEECIVIL.COM

SOUTH JORDAN CITY

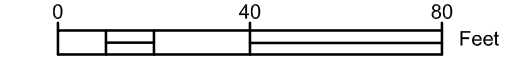
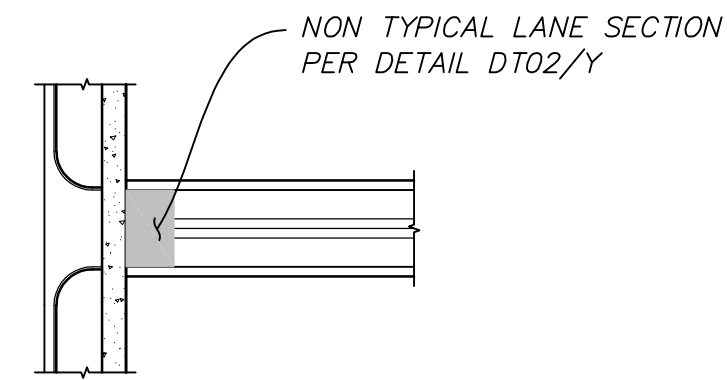
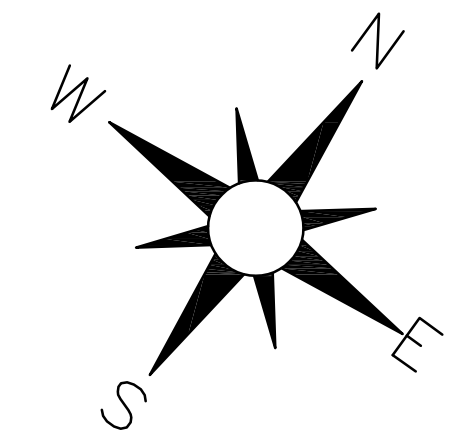
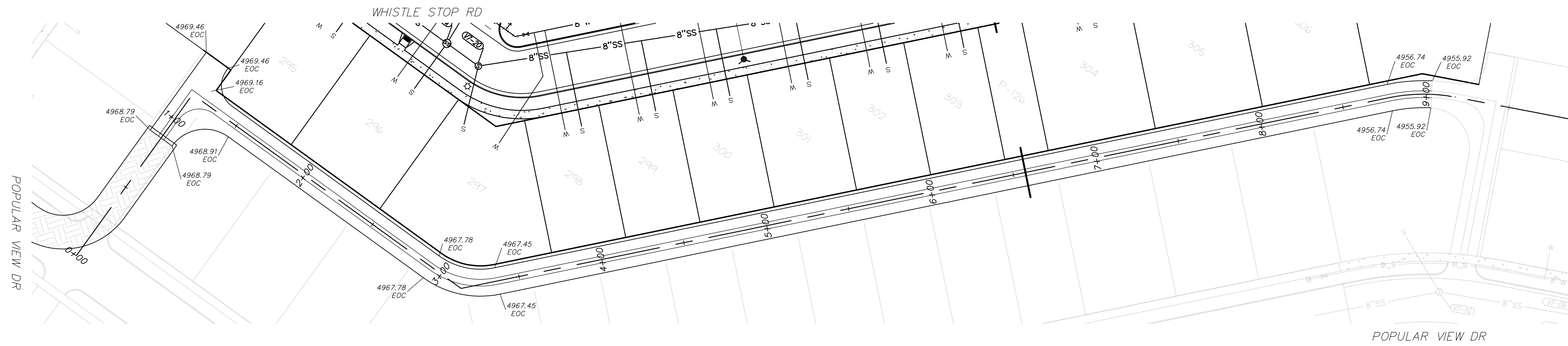
CITY ENGINEER	DATE	MARK	DESCRIPTION

DESIGNED BY:	DATE:	REV:
JTA	SEPT 2016	

DAYBREAK VILLAGE 7 PLAT 02
PLAN AND PROFILE - WHISTLE STOP ROAD

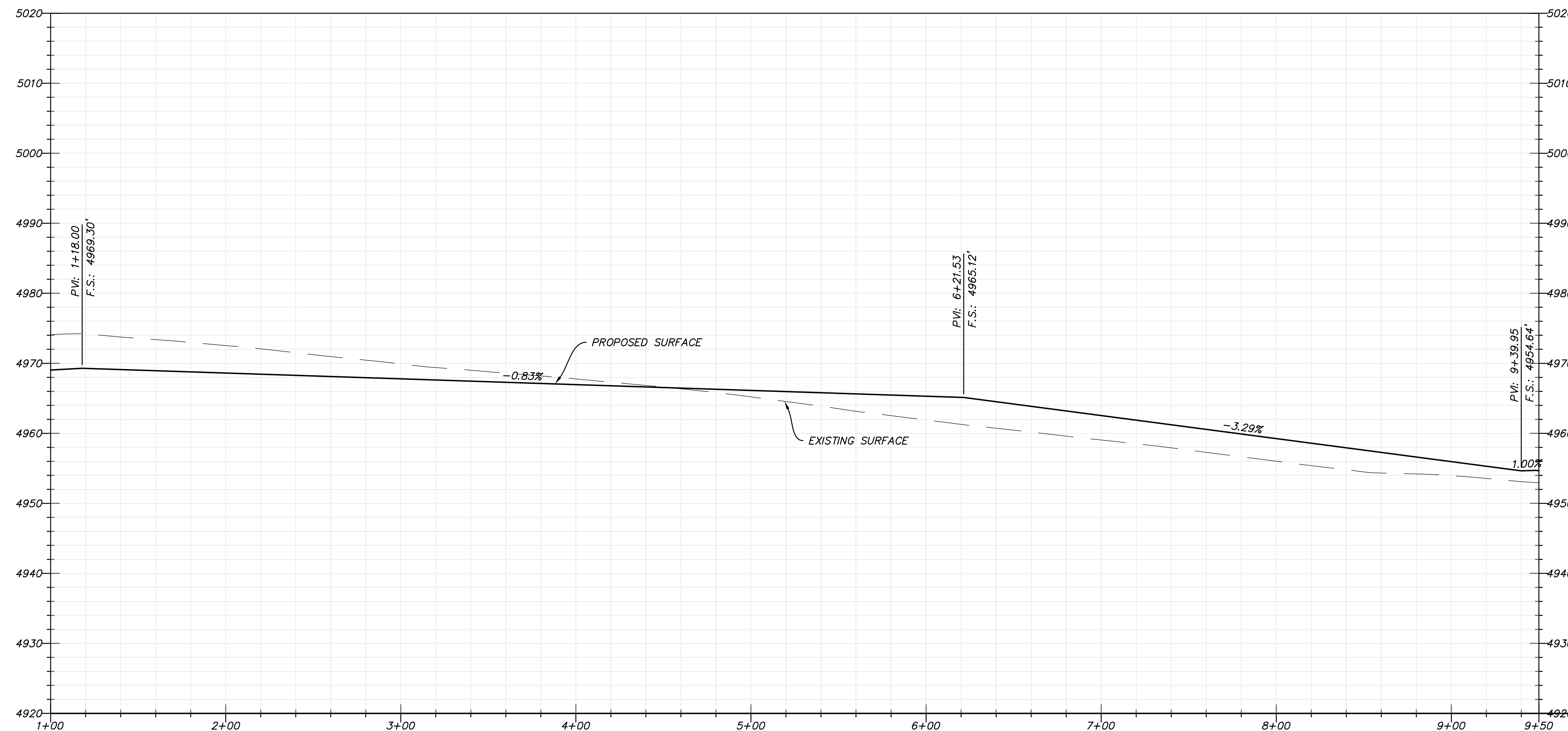
SHEET NUMBER	15
OF 26 SHEETS	
DRAWING NAME	PP05





HAW RIVER LANE

STA: 1+00 TO 9+50



PERIGEE
CONSULTING

CIVIL • STRUCTURAL • SURVEY

WEST JORDAN, UT 84088
907.528.6004 TEL. 801.568.8111 FAX
WWW.PERIGEECIVIL.COM

SOUTH JORDAN CITY

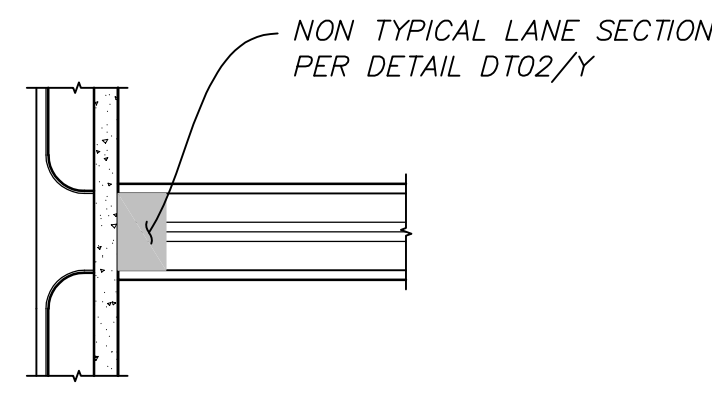
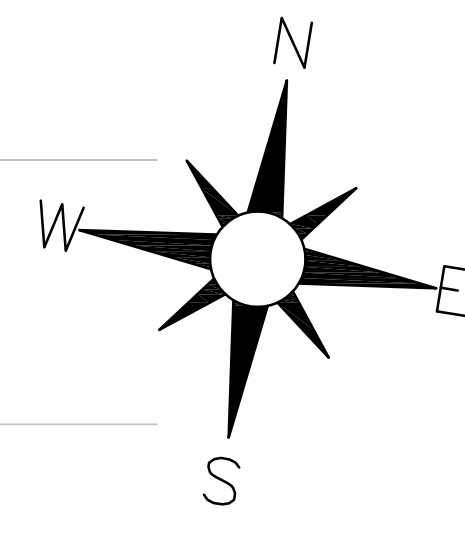
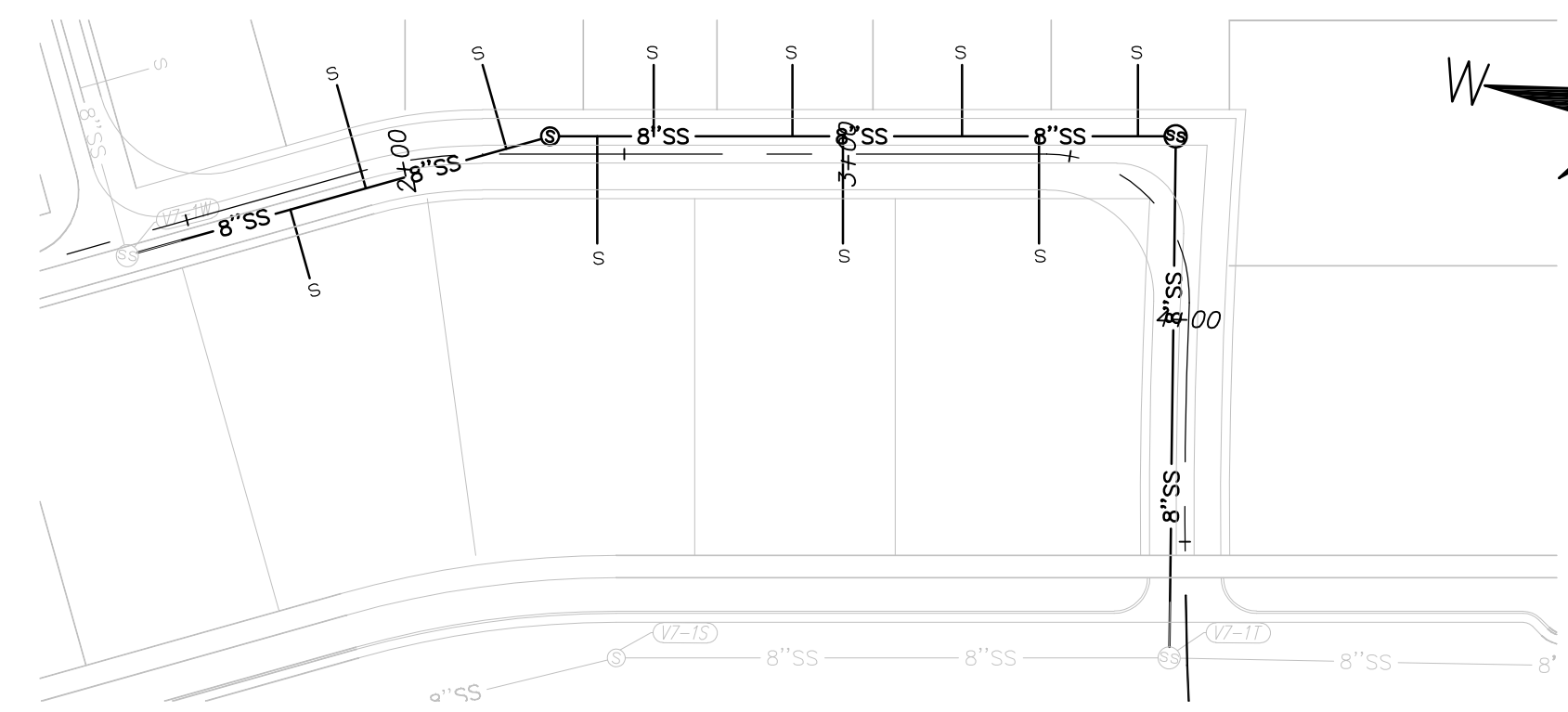
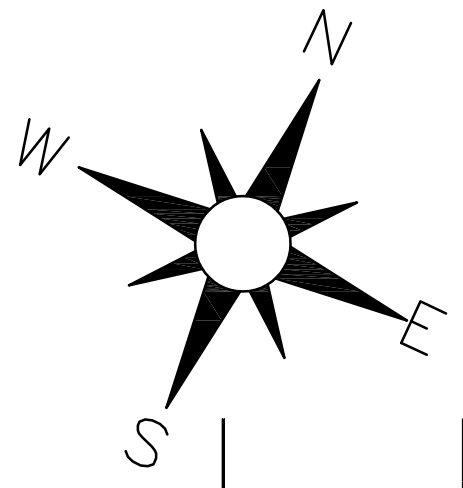
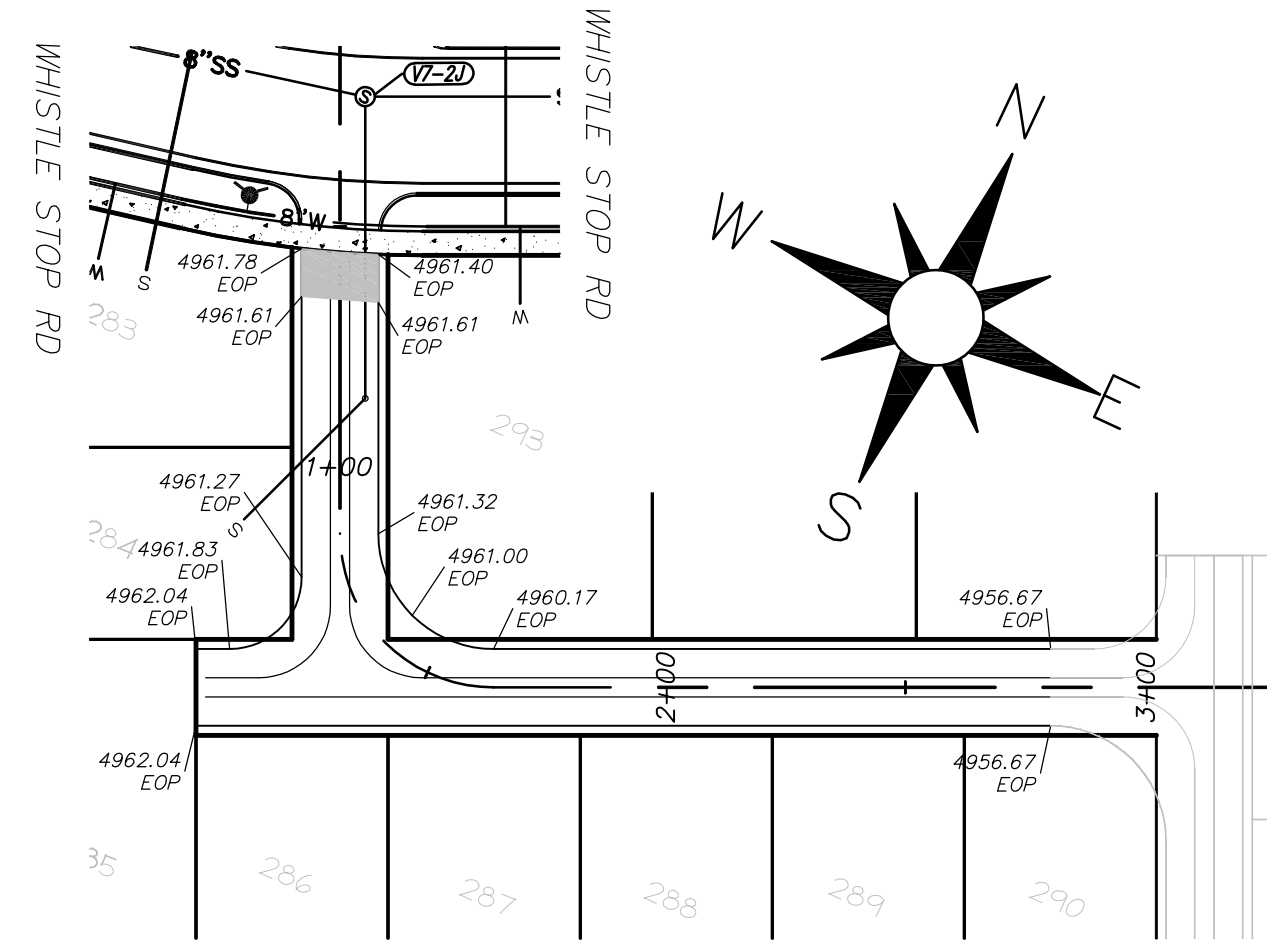
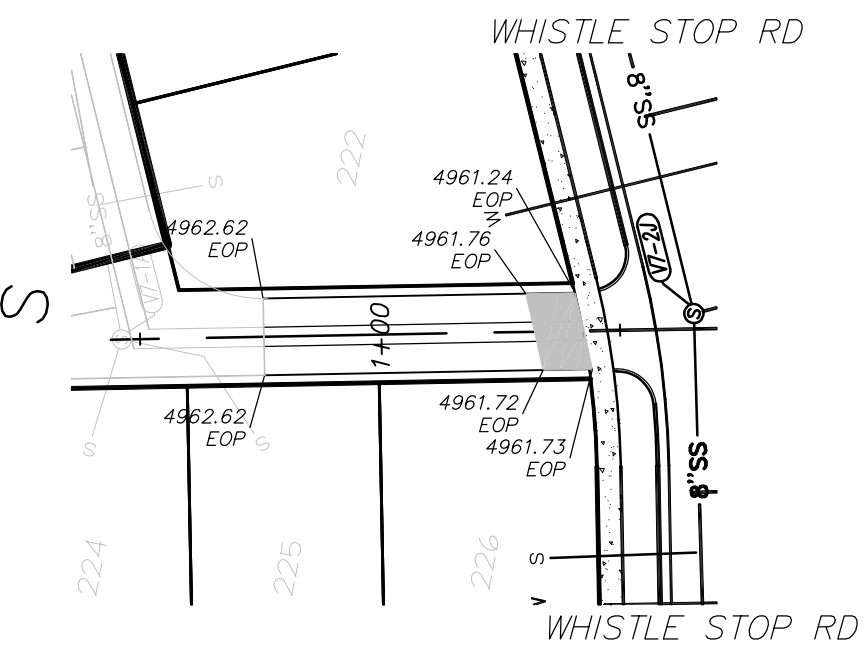
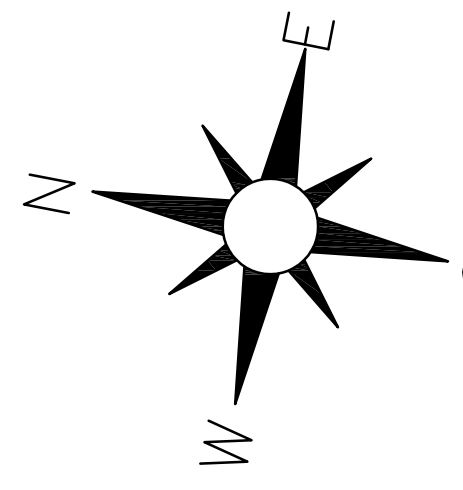
CITY ENGINEER	DATE	MARK	DESCRIPTION

DESIGNED BY: JTA	DATE: SEPT 2016	REV:
DRAWN BY: R/JH	SOLICITATION NO: XXX	
SUBMITTED BY:	CONTRACT NO: 00524	
FILE NAME: N:\0182_Daybreak\00524\VP12\00_PP10	PROJECT DATE: 10/11/2016 1:54:16 PM	
SIZE: VARIED	PLOTTED BY:	

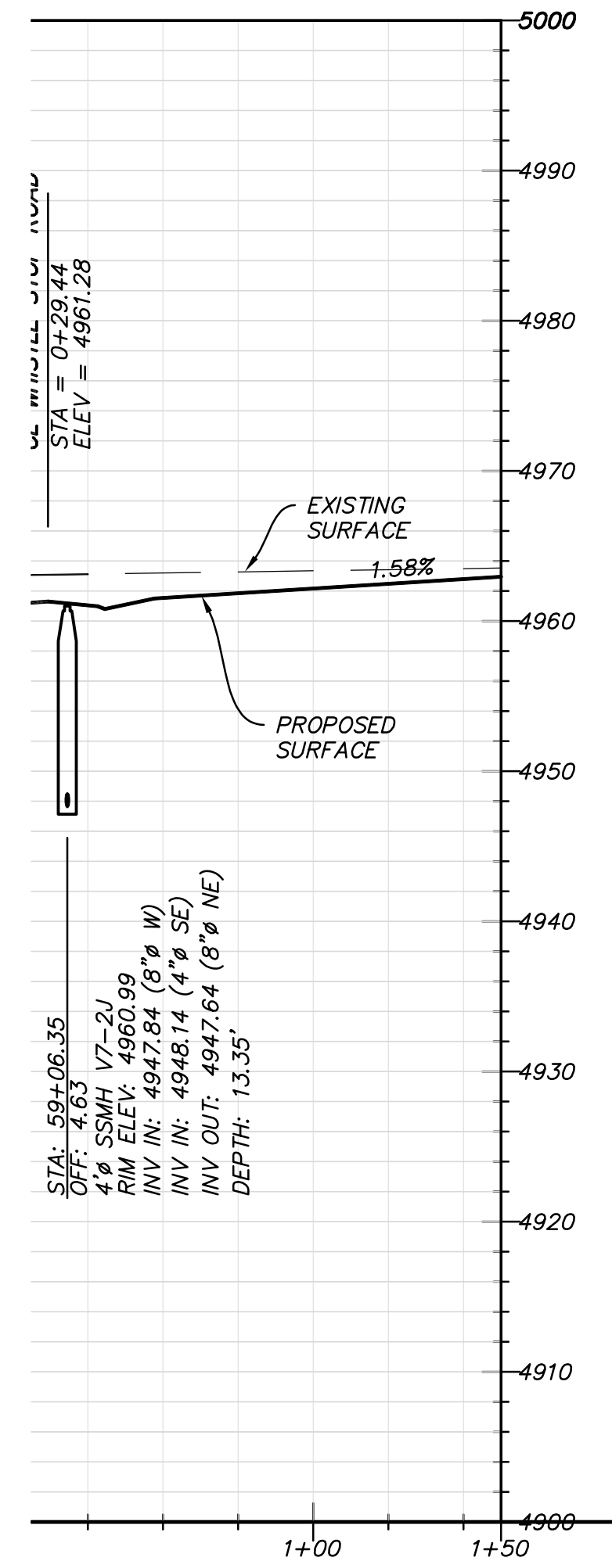
DAYBREAK
VILLAGE 7 PLAT 02

PLAN AND PROFILE -
HAW RIVER LANE

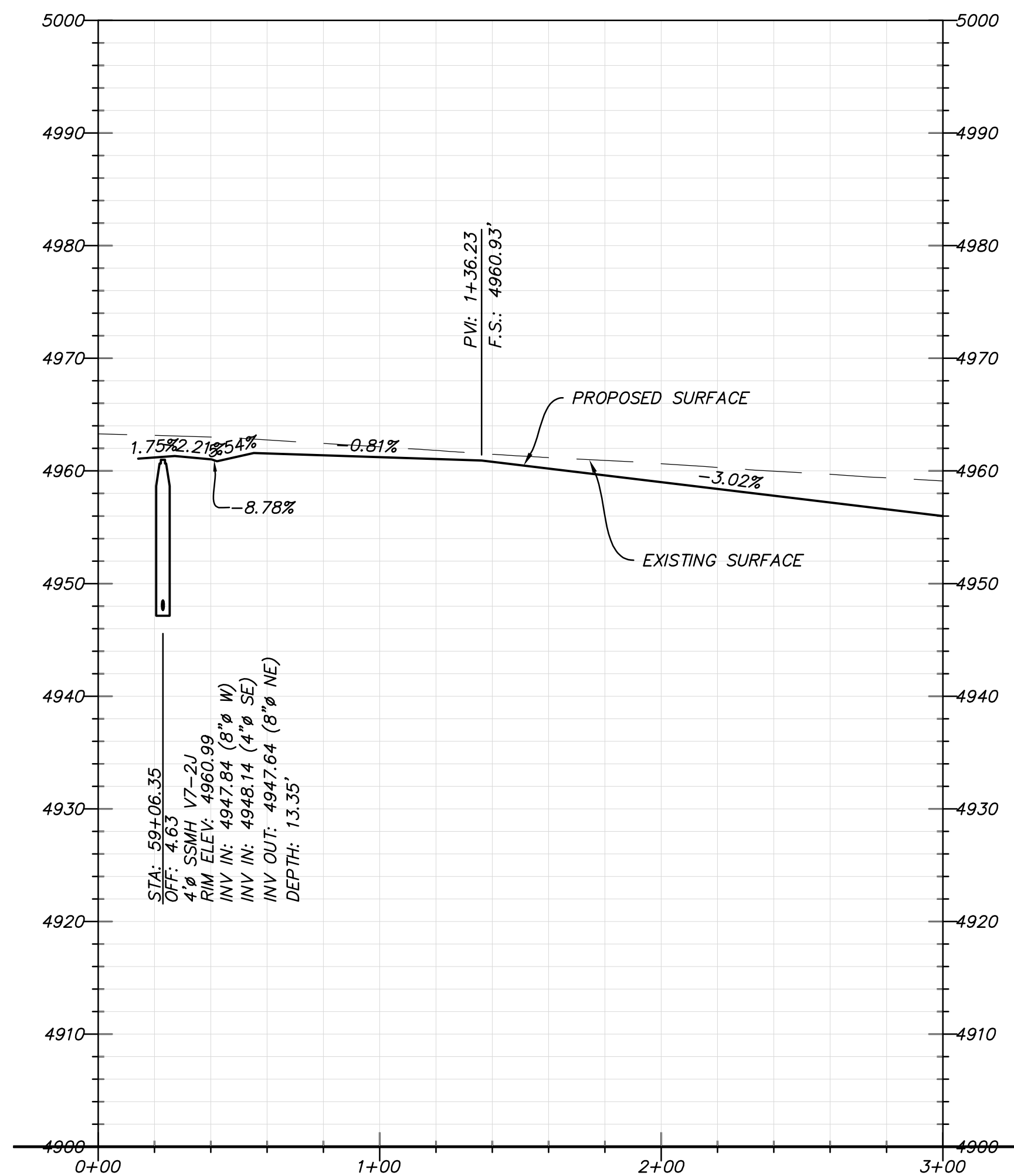
SHEET NUMBER	20
OF 26 SHEETS	
DRAWING NAME	PP10



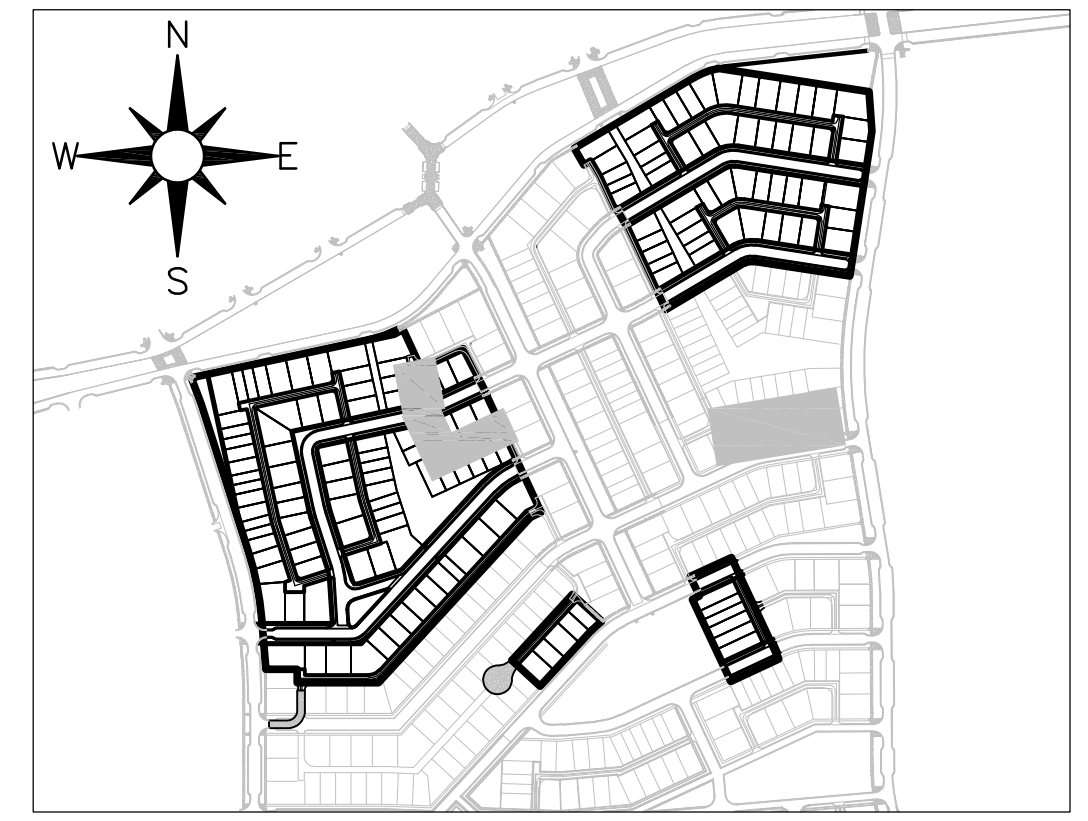
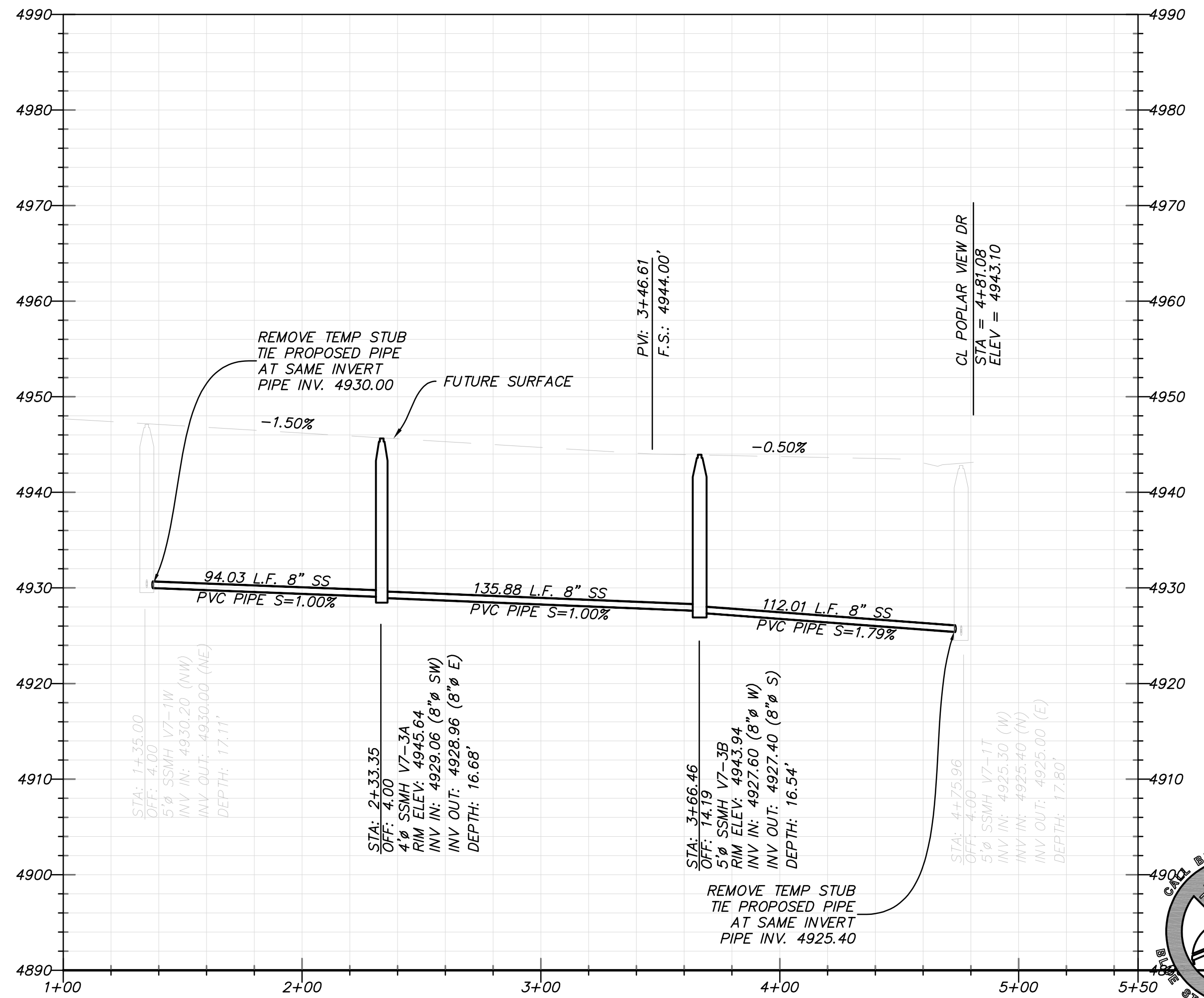
LANE 01 FU
STA: 0+50 TO 1+50



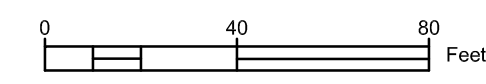
LANE 02 FU
STA: 0+00 TO 3+00



OFFSITE SEWER
STA: 0+00 TO 3+00



KEY MAP

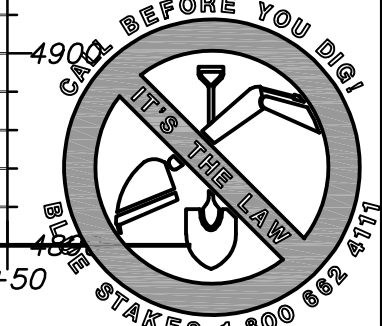


NO.	DATE	DESCRIPTION	BY	CHK

DESIGNED BY: JTA	DATE: SEPT 2016	REV:
DRAWN BY: RJA	SUBMITTAL NO: XXX	
CHECKED BY: RJA	CONTRACT NO: 00524	
FILE NAME: N:\00182_Daybreak\00524\VP2\VP1.PP1	PROJECT DATE: 10/11/2016 1:55:36 PM	
SIZE: A3	PLotted BY:	

DAYBREAK
VILLAGE 7 PLAT 02
PLAN AND PROFILE -
V7P1 LANE 01 FU, &
V7P1 LANE 02 FU

SHEET NUMBER
21
OF 26 SHEETS
DRAWING NAME
PP11

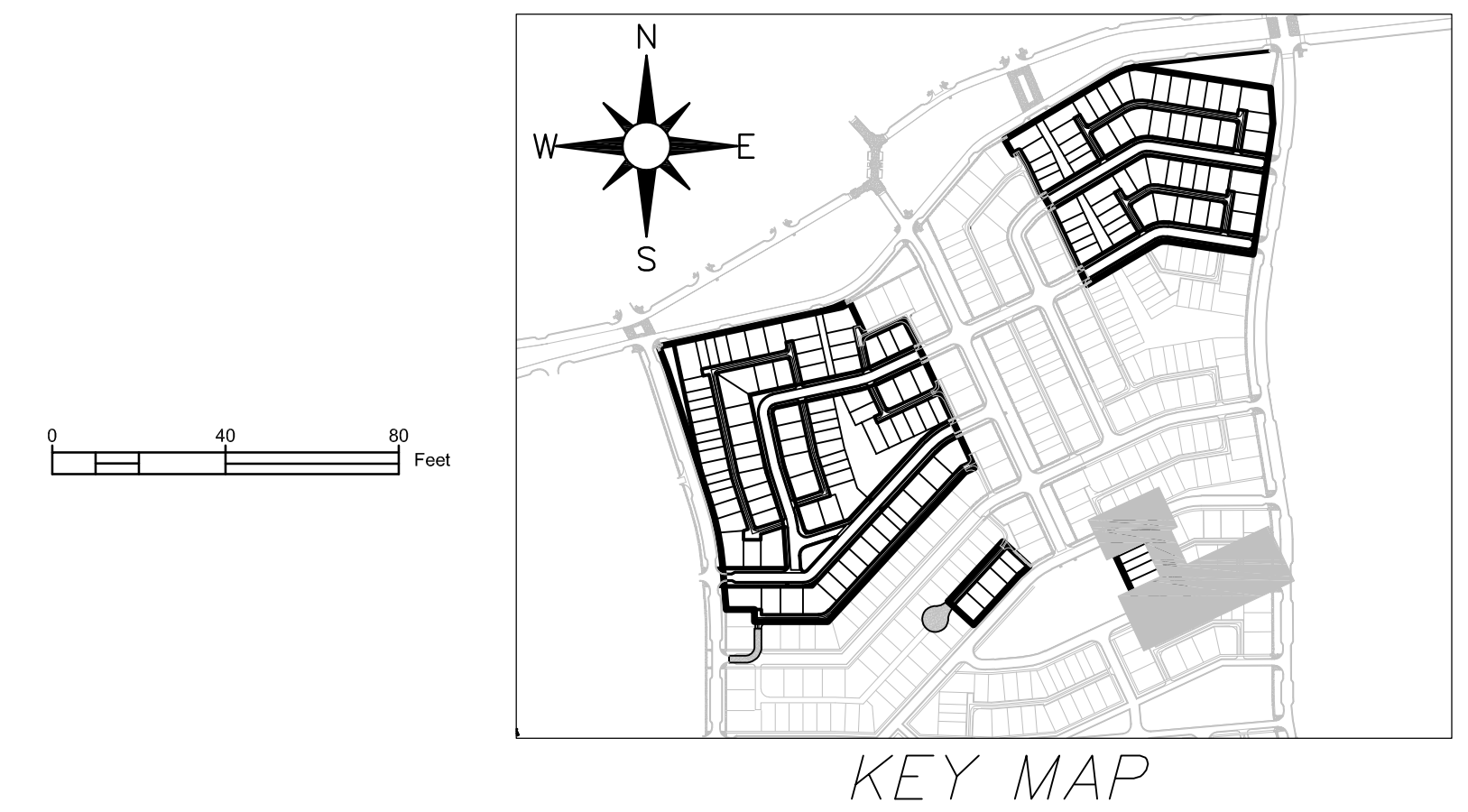
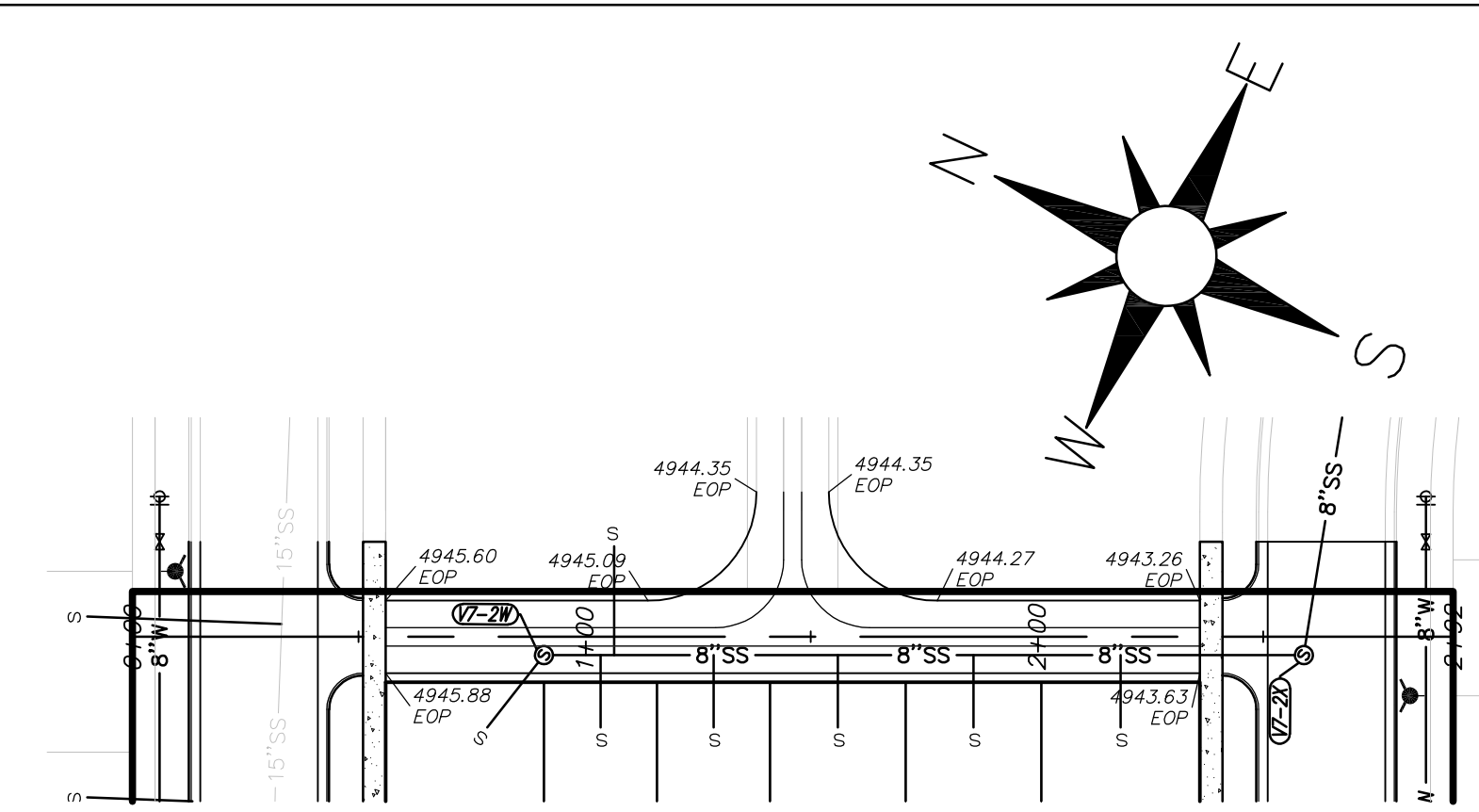
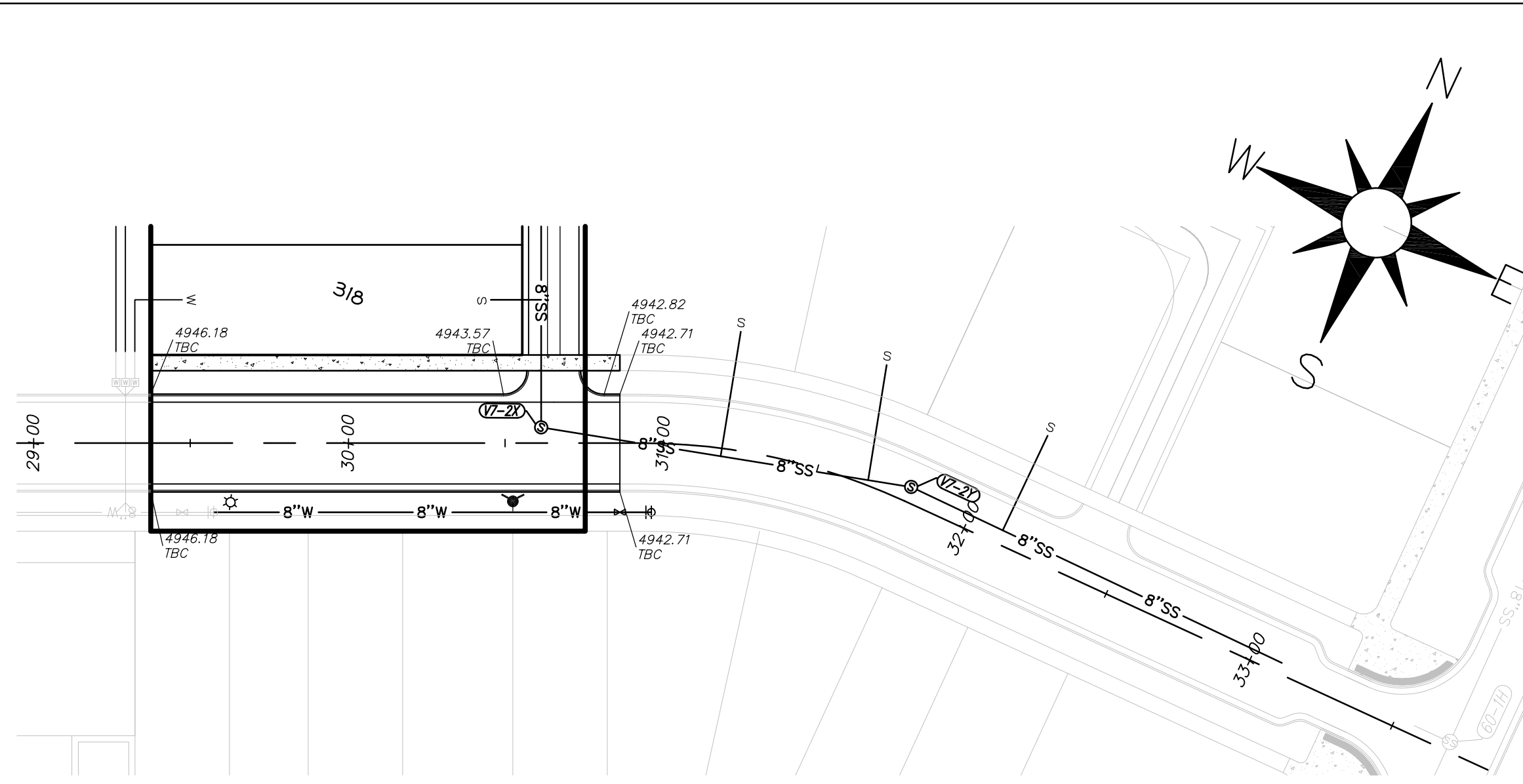
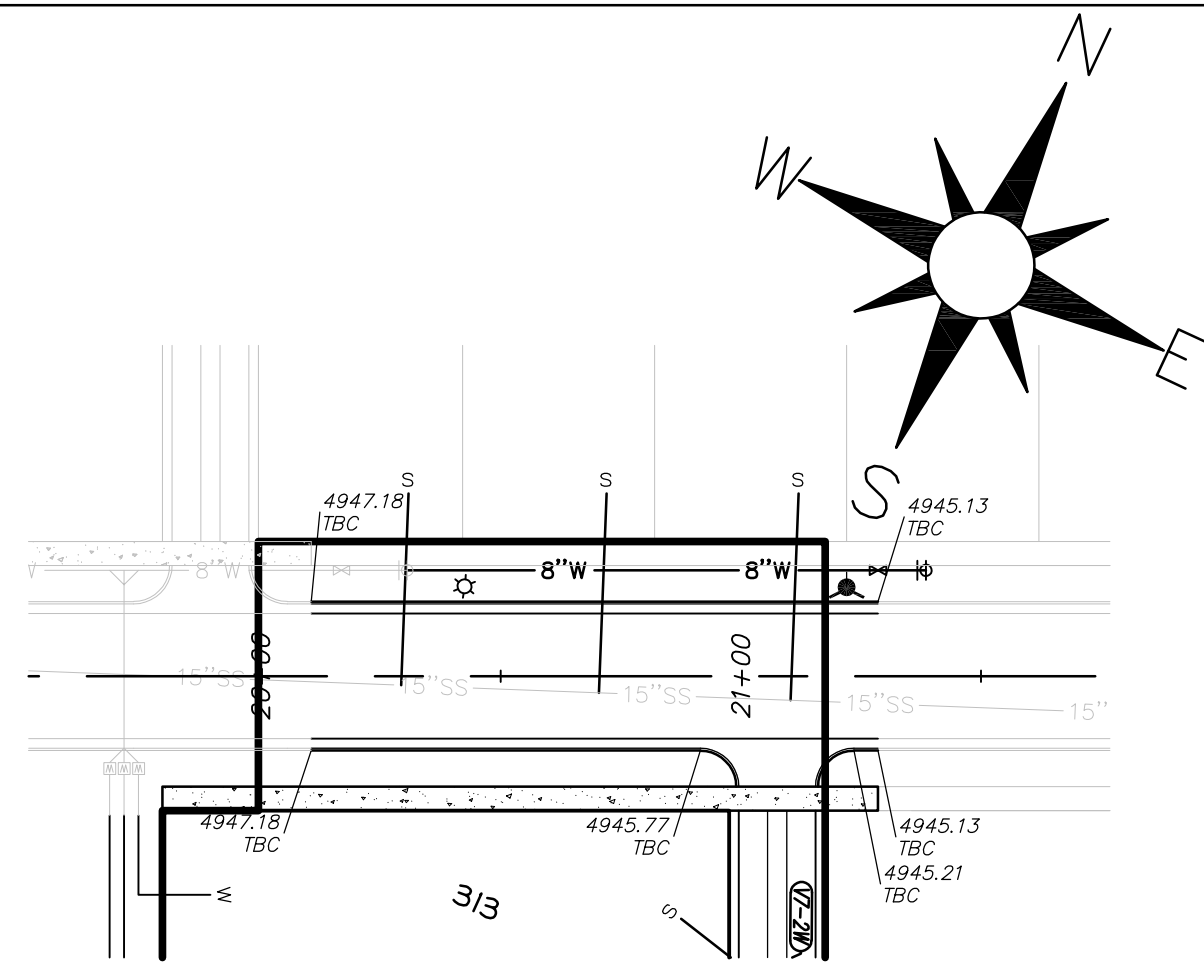


NO.	DATE	DESCRIPTION

DESIGNED BY: JTA	DATE: SEPT 2016	REV:
DRAWN BY: RPH	CONTRACTOR: XXX	SUBMITTAL NO: 00524
SUBMITTED BY: N. VOIRBZ, Doghouse Voids/PAVPP/22 PP12	CONTRACT NO: 00524	PROJECT DATE: 10/11/2016 1:56:55 PM
FILE NAME: N:\VDIRBZ_Doghouse Voids\PAVPP\22 PP12	PLOTTED BY: N. VOIRBZ	SIZE: A3

DAYBREAK VILLAGE 7 PLAT 02
 PLAN AND PROFILE -
 SPARROW VIEW DRIVE,
 STONE MOUNT WAY &
 LANE 16

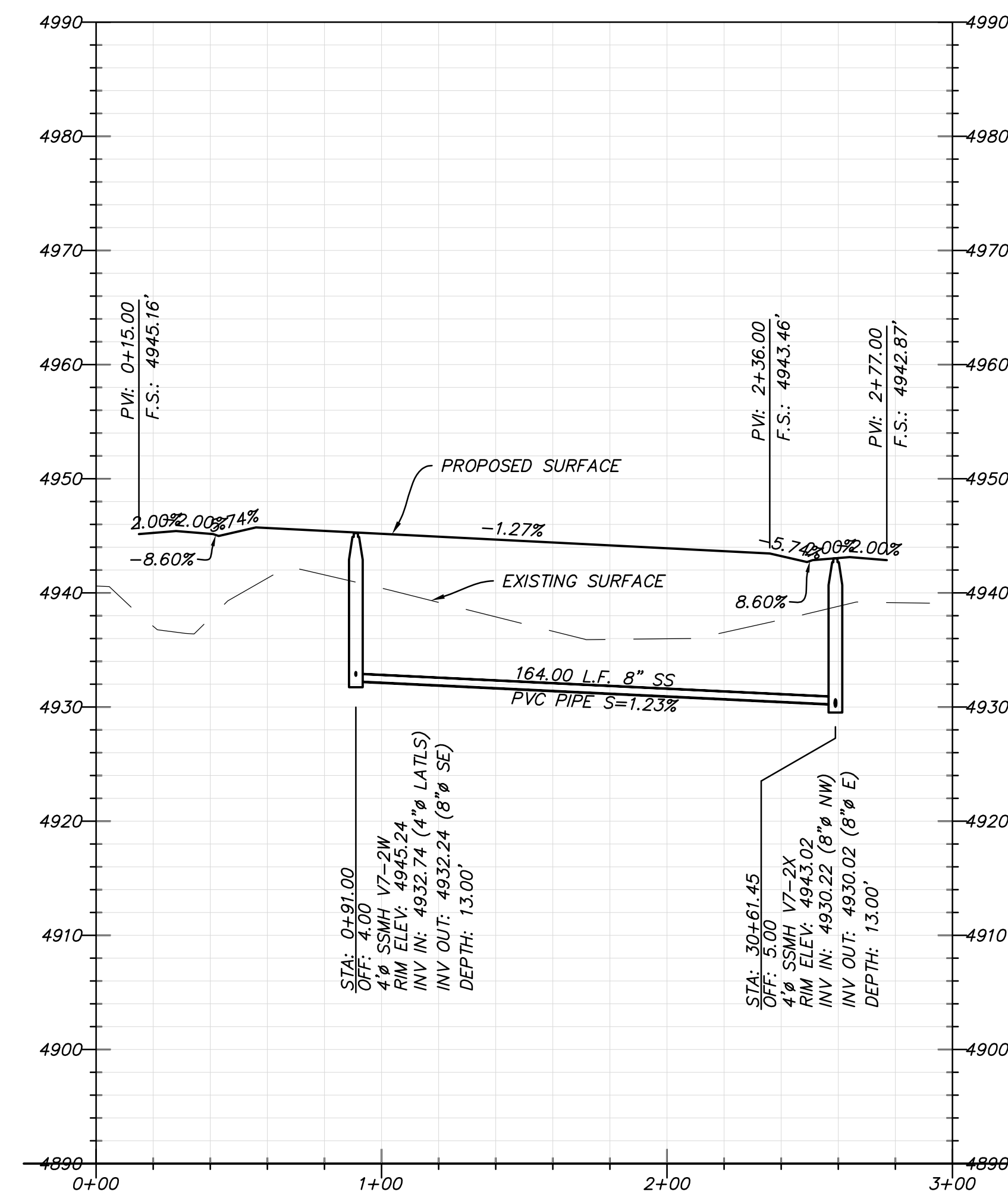
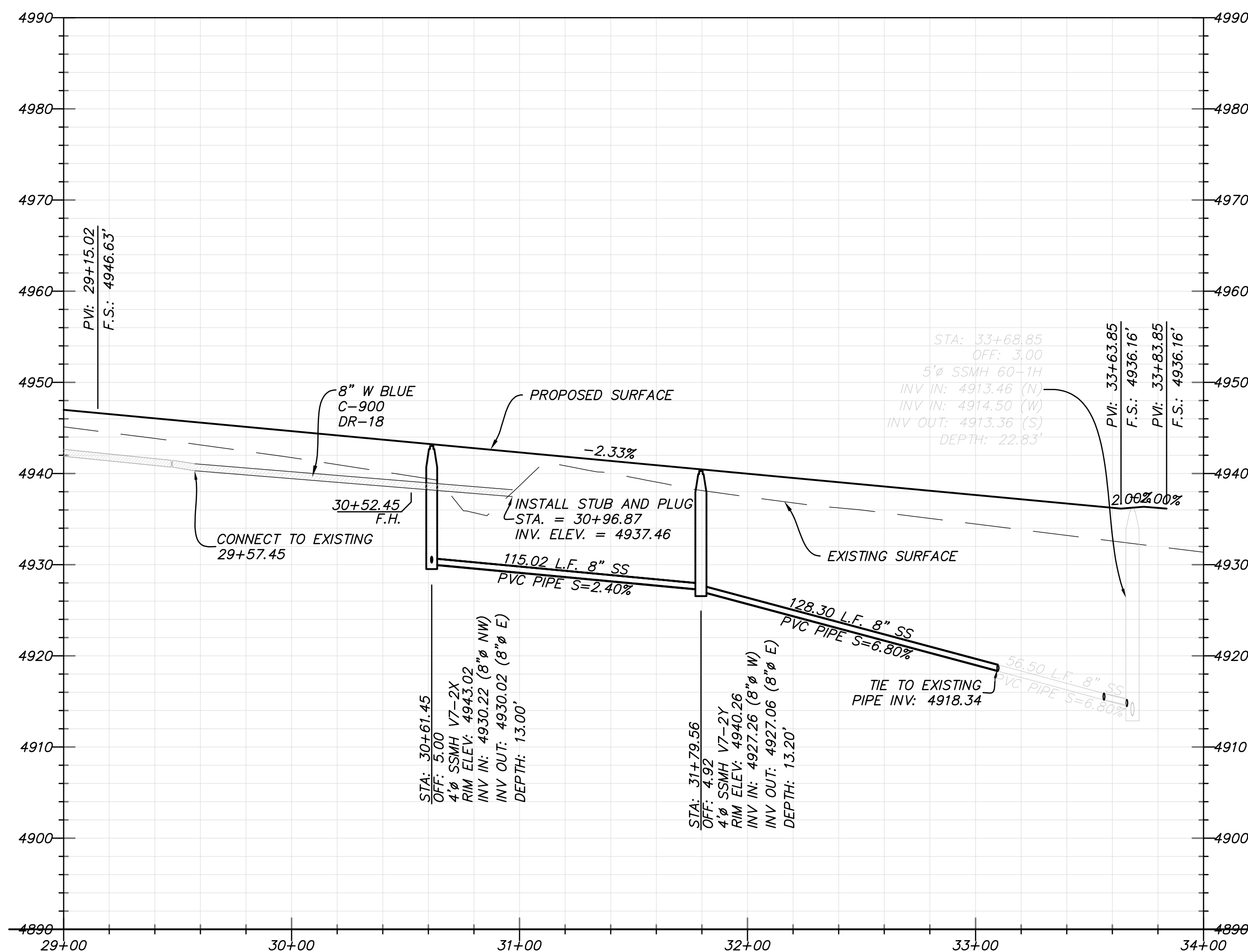
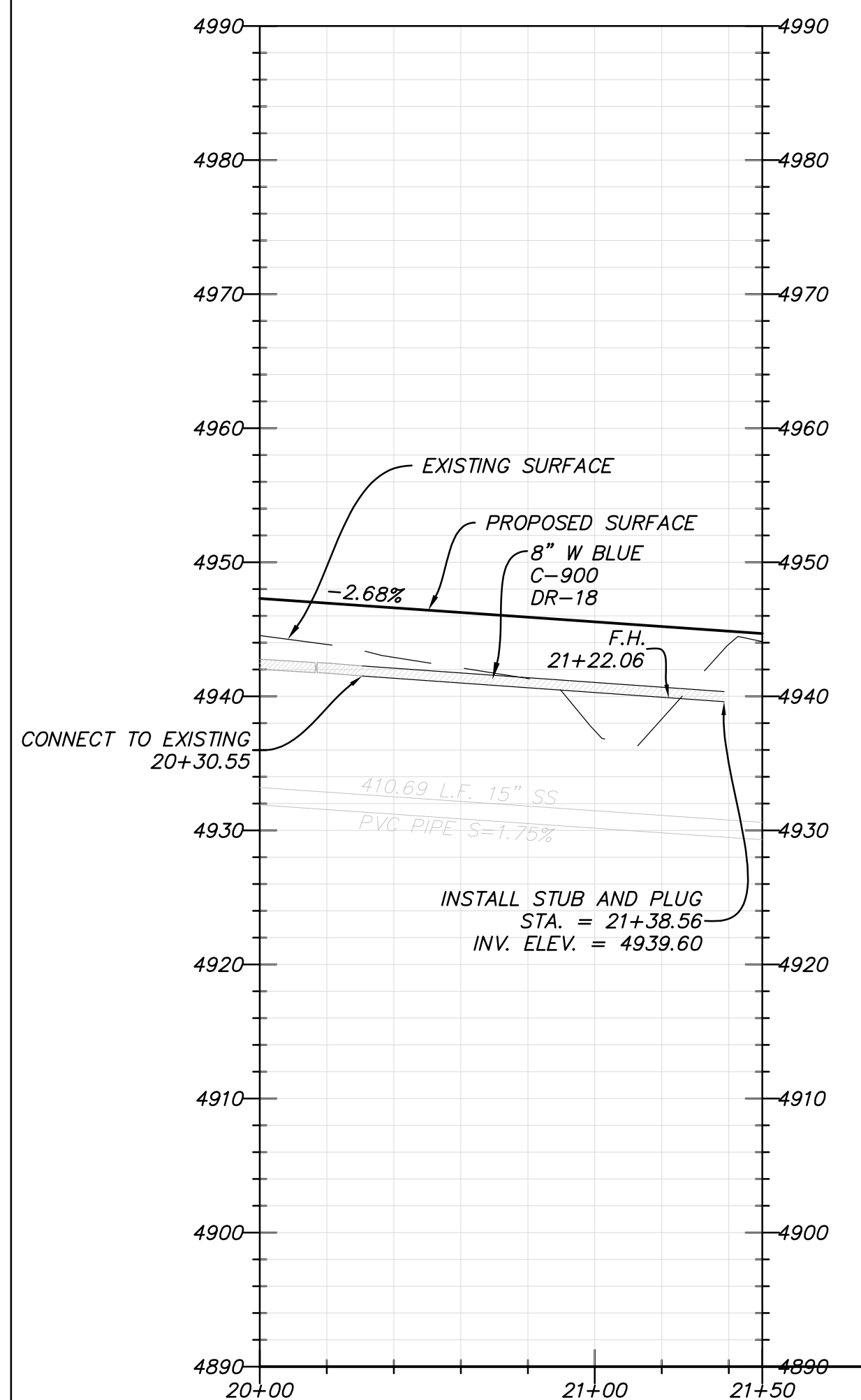
SHEET NUMBER
22
 OF 26 SHEETS
 DRAWING NAME
PP12

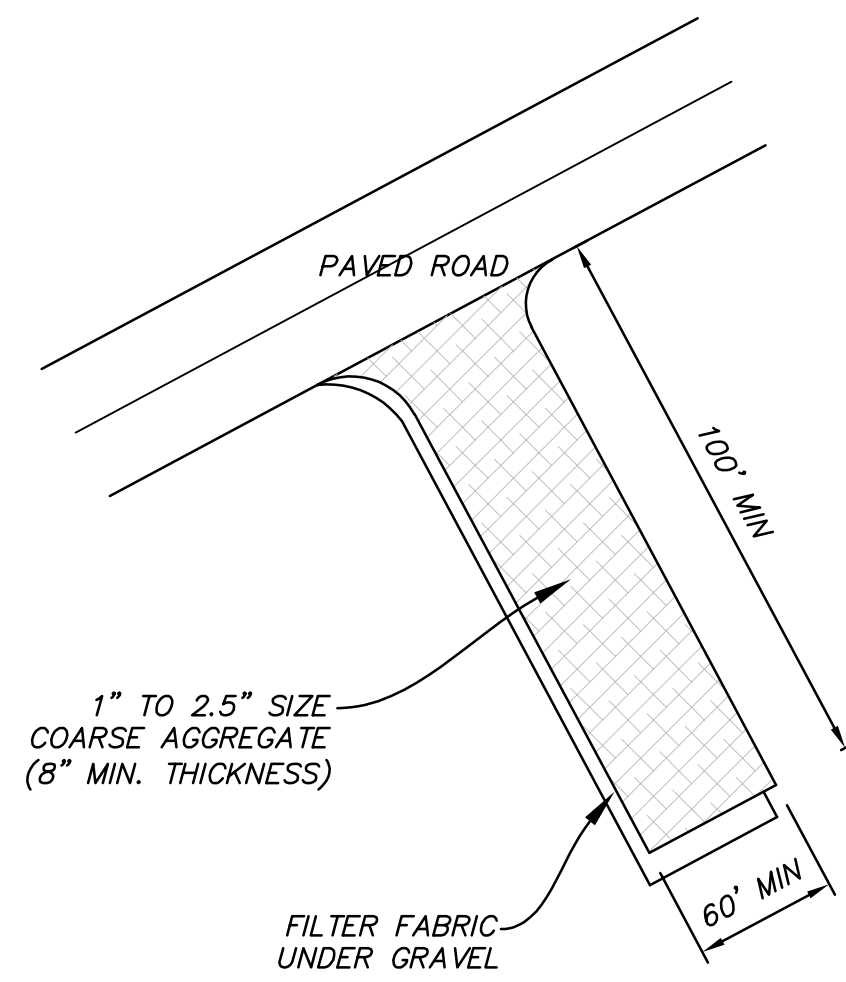


SPARROW VIEW DRIVE
 STA: 20+00 TO 21+50

STONE MOUNT WAY
 STA: 29+00 TO 34+00

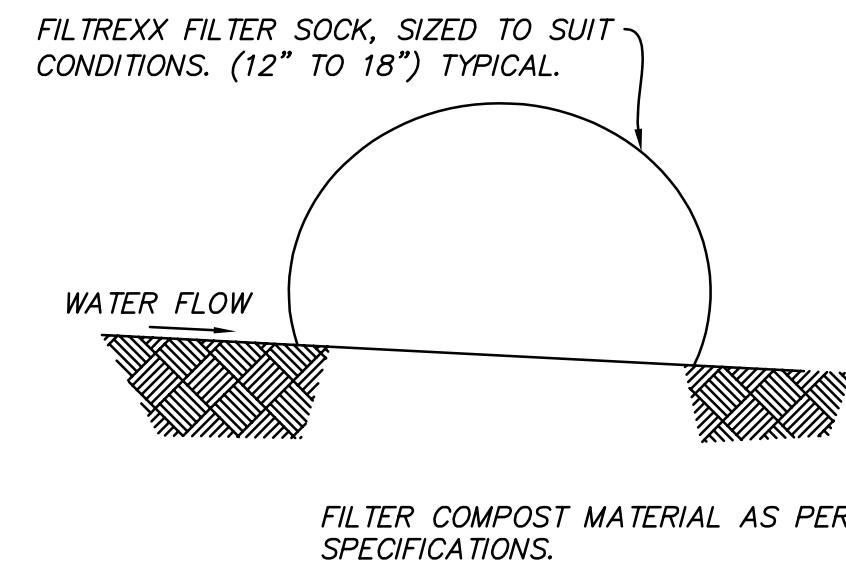
LANE 16
 STA: 0+00 TO 3+00



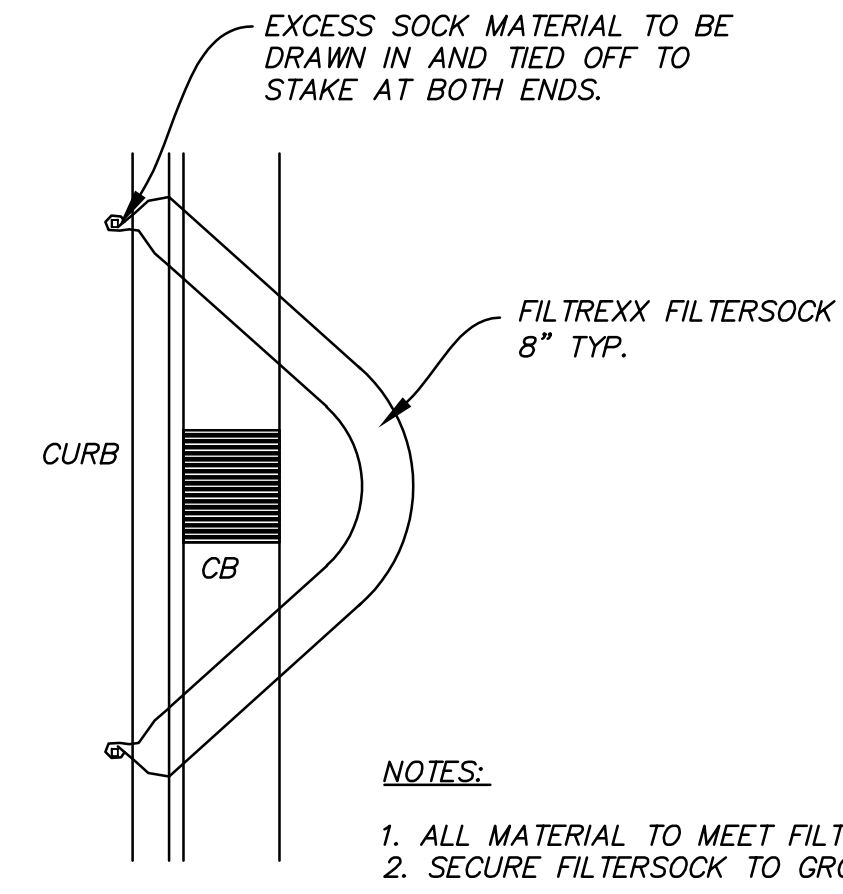


MM
VAR **STABILIZED CONSTRUCTION ENTRANCE**
NOT TO SCALE

- NOTES:**
1. ALL MATERIAL TO MEET FILTREXX SPECIFICATIONS.
 2. THE CONTRACTOR SHALL MAINTAIN THE COMPOST FILTER BERM IN A FUNCTIONAL CONDITION AT ALL TIMES AND IT SHALL BE ROUTINELY INSPECTED.
 3. BERM WILL BE REGULARLY INSPECTED AND REPAIRED AS NECESSARY.
 4. THE CONTRACTOR SHALL REMOVE SEDIMENT COLLECTED AT THE BASE OF THE BERM WHEN THEY REACH 1/3 OF THE EXPOSED HEIGHT OF THE BERM, OR AS DIRECTED BY THE ENGINEER.
 5. THE COMPOST FILTER BERM WILL BE DISPERSED ON SITE WHEN NO LONGER REQUIRED, AS DETERMINED BY THE ENGINEER.

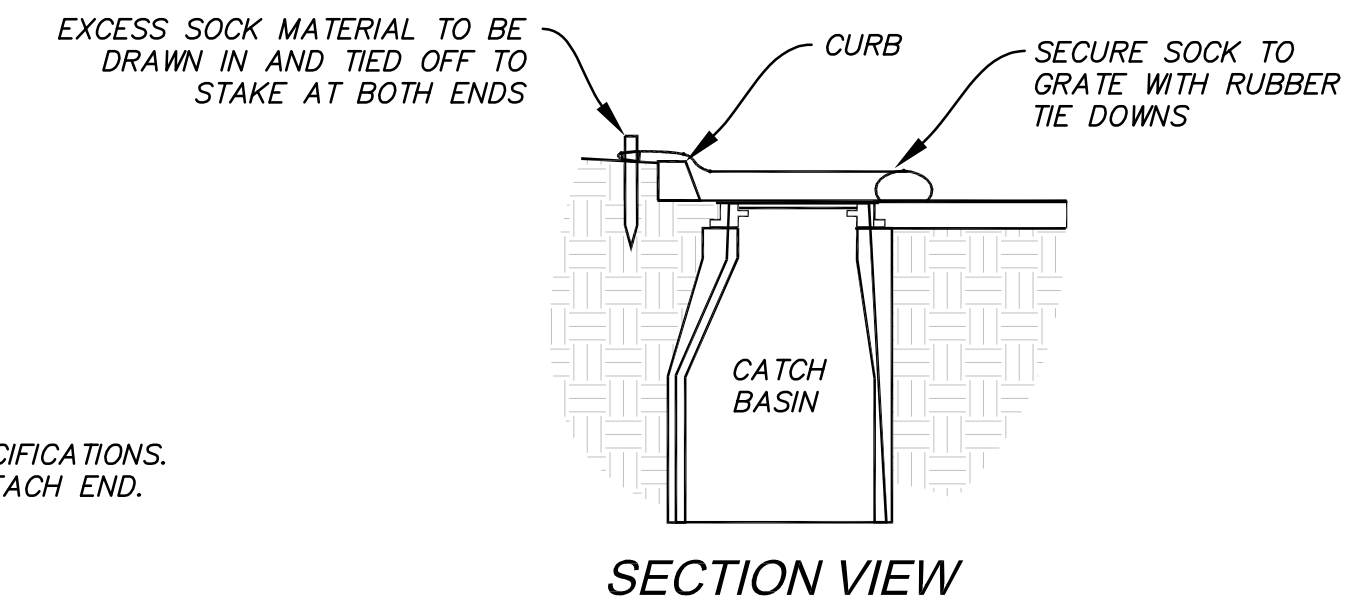


NN
VAR **FILTREXX SEDIMENT CONTROL DETAIL**
NOT TO SCALE



- NOTES:**
1. ALL MATERIAL TO MEET FILTREXX SPECIFICATIONS.
 2. SECURE FILTERSOCK TO GROUND AT EACH END.

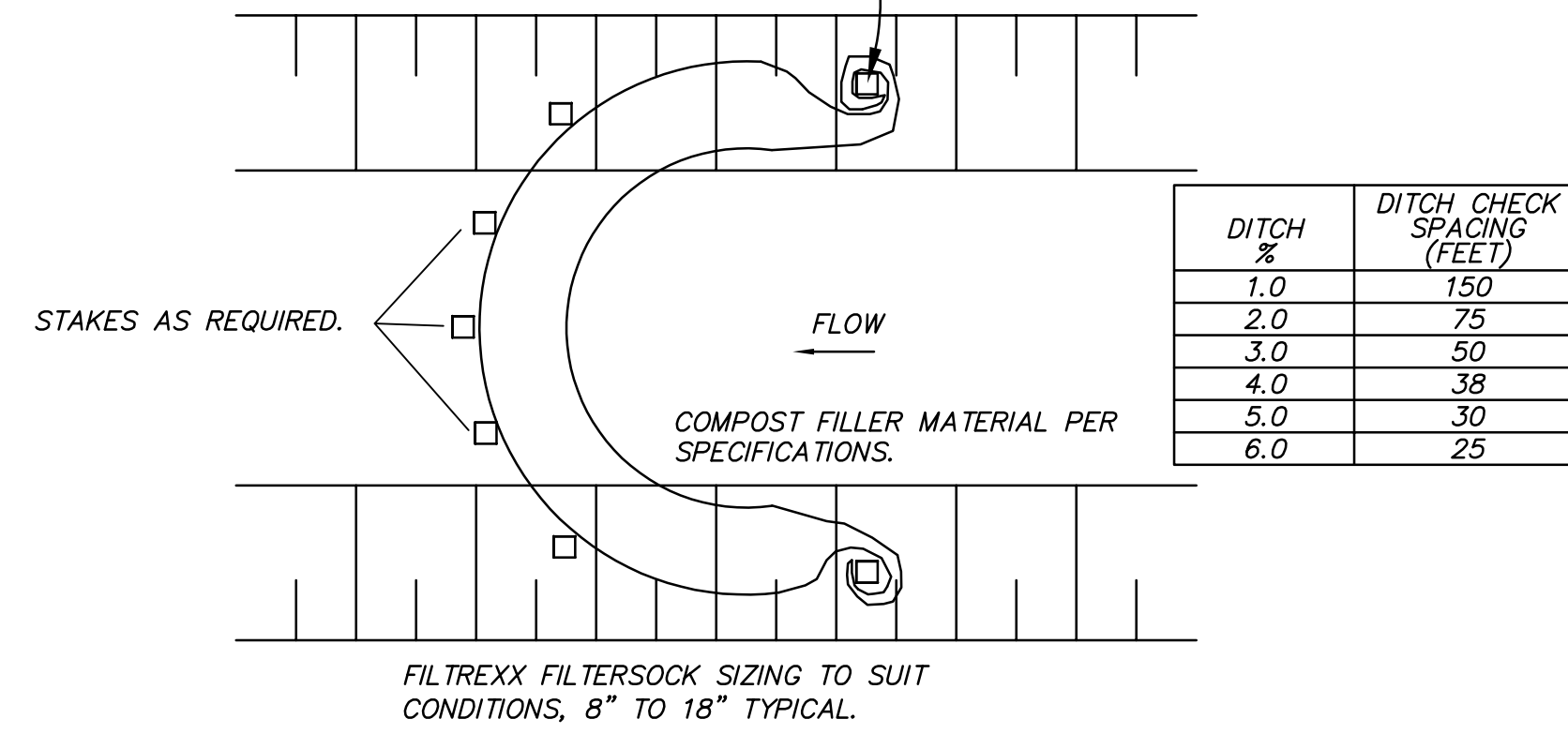
PLAN VIEW



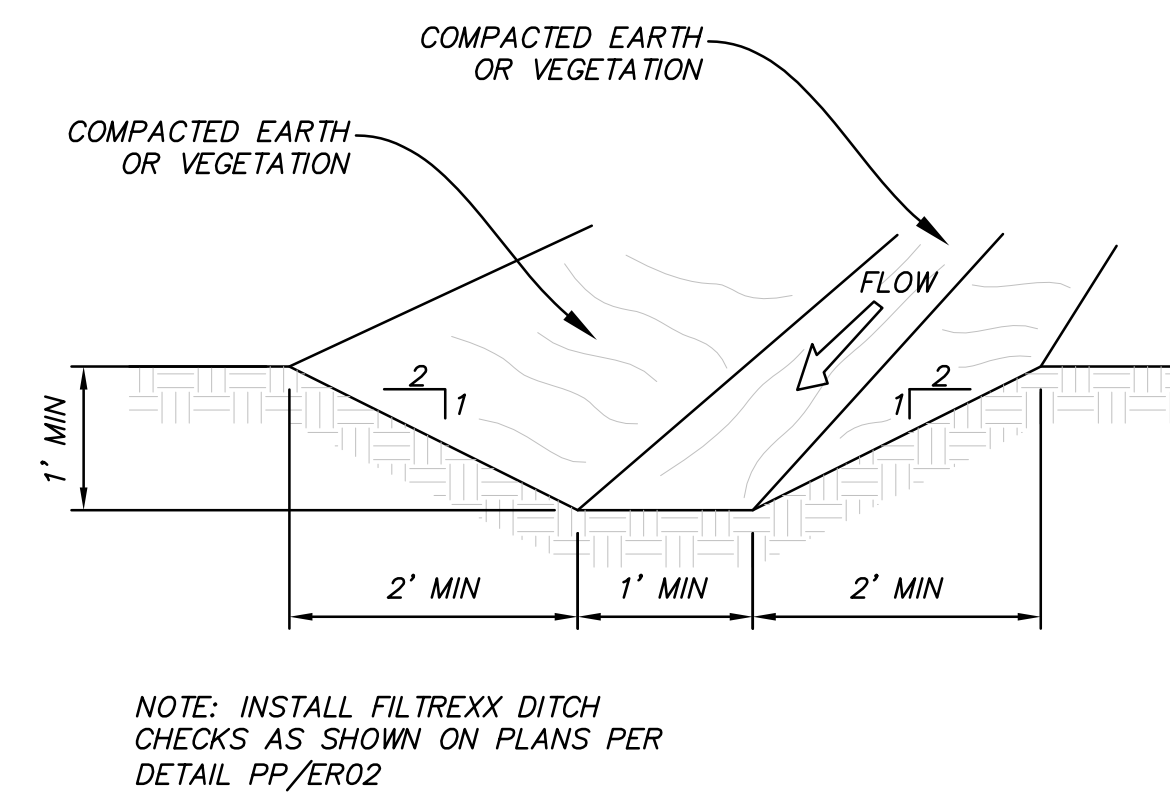
SECTION VIEW

QQ
VAR **FILTREXX INLET PROTECTION -CURB INLET**
NOT TO SCALE

- NOTES:**
1. ALL MATERIAL TO MEET FILTREXX SPECIFICATIONS.
 2. COMPOST MATERIAL WILL BE DISPERSED ON SITE WHEN NO LONGER REQUIRED, AS DETERMINED BY THE ENGINEER.
 3. SPACE SO TOP OF DOWNSTREAM DITCH CHECK IS AT SAME ELEV. AS TOE OF UPSTREAM DITCH CHECK.



PP
VAR **TYPICAL FILTREXX DITCH CHECK**
NOT TO SCALE



NOTE: INSTALL FILTREXX DITCH CHECKS AS SHOWN ON PLANS PER DETAIL PP/ER02

OO
VAR **TEMPORARY INTERCEPTOR DITCH AND FILTREXX DITCH CHECK**
NOT TO SCALE

NO.	DATE	DESCRIPTION	MARK	APP.

DESIGNED BY: JTA	DATE: SEPT 2016	REV:
DRAWN BY: RJK	SOLICITATION NO: XXX	
SUBMITTED BY: RJK	CONTRACT NO: 00524	
FILE NAME: N:\00182_Daybreak Village\PP\V7P2\26 DT03	PROJECT DATE: 10/11/2016 1:58:23 PM	
SIZE: VARIED	PLOTTED BY:	

DAYBREAK
VILLAGE 7 PLAT 02
DETAILS

SHEET NUMBER
26
OF 26 SHEETS
DRAWING NAME
DT03

