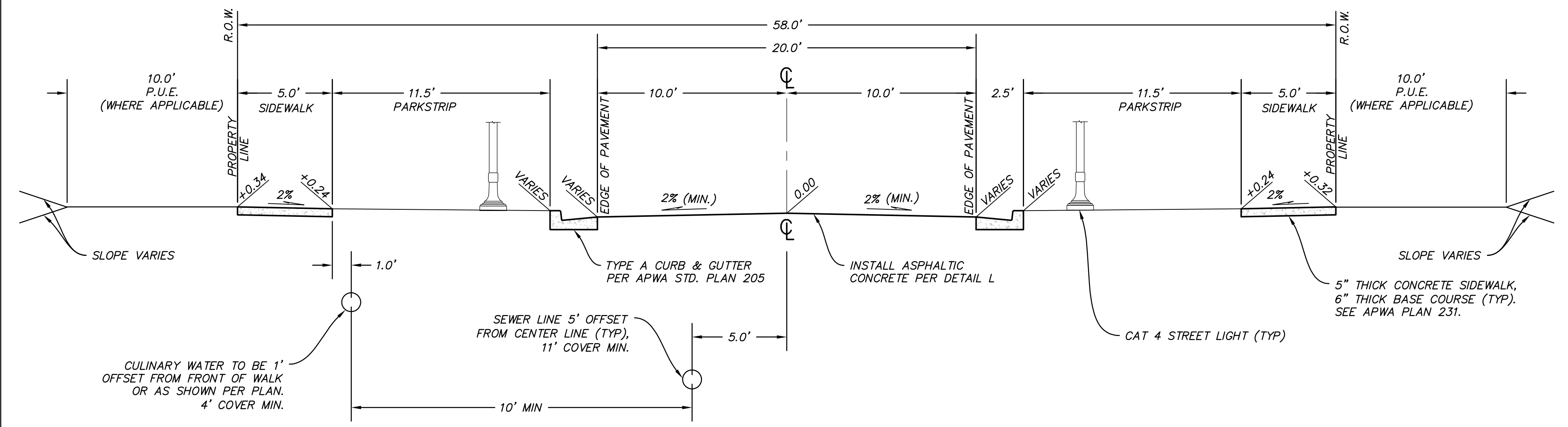


**RESIDENTIAL - 58' ROW
BLACK TWIG DRIVE**

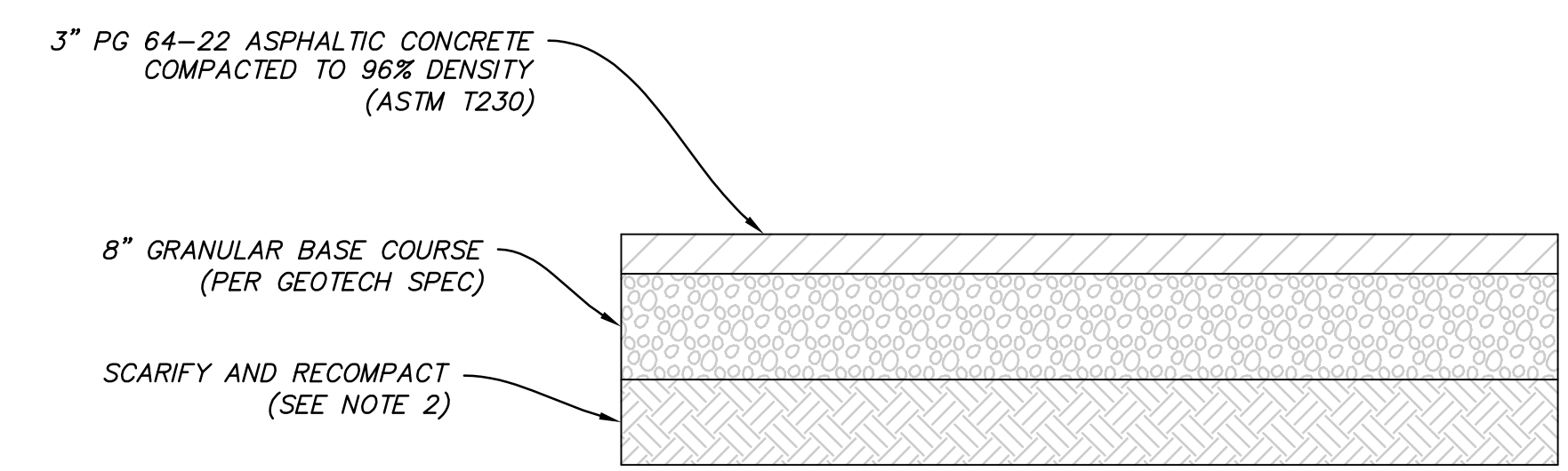
A
VAR SCALE: 1" = 4'



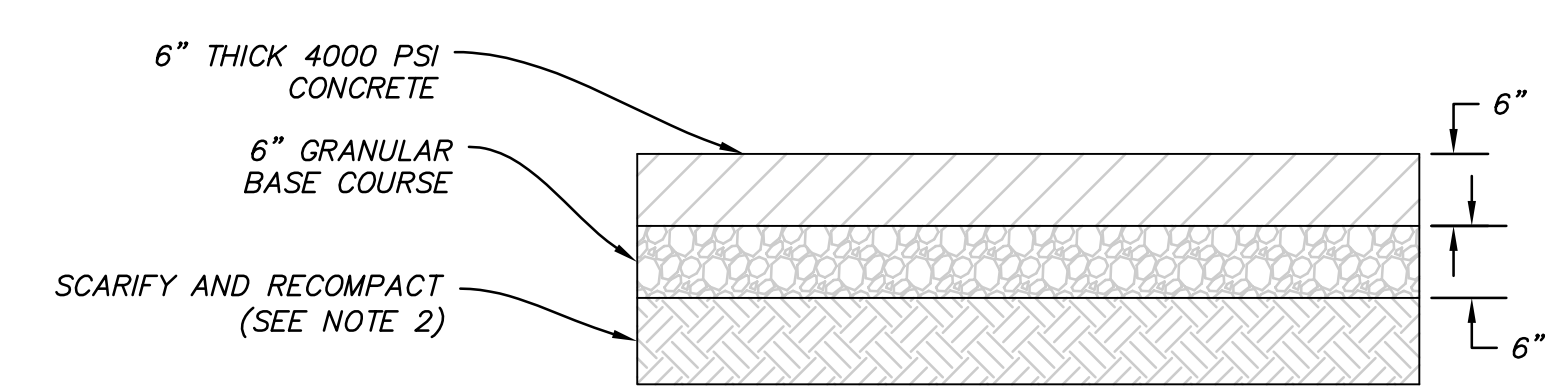
**RESIDENTIAL BUMP OUT - 58' ROW
BLACK TWIG DRIVE**

B
VAR SCALE: 1" = 4'

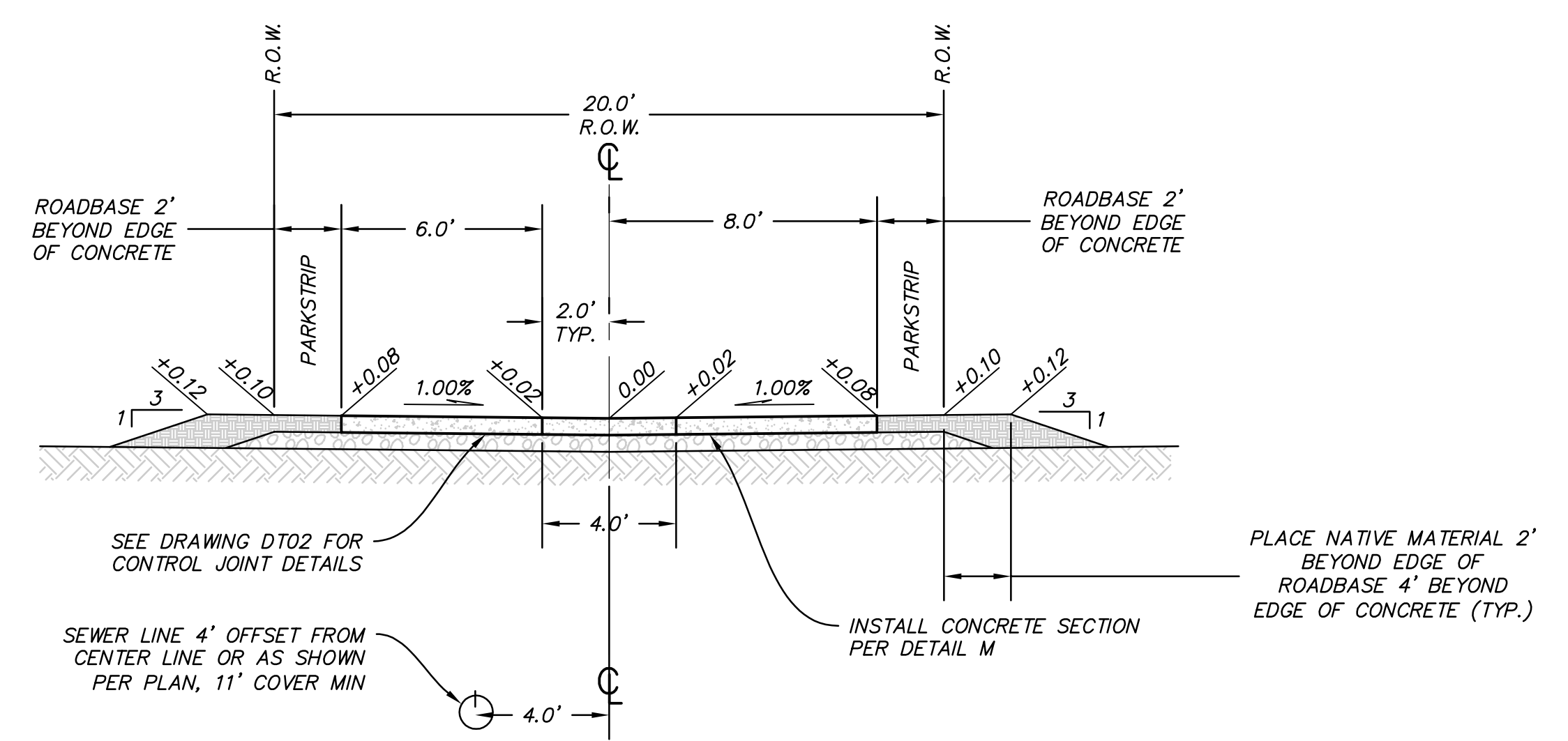
- ROADWAY SECTION NOTES:**
1. ALL ROADS HAVE CUT AND FILL SLOPES OF 3:1 UNLESS NOTED ON PLANS. ALL FILLS MUST BE APPROVED BY THE CITY ENGINEER PRIOR TO PLACEMENT.
 2. CONTRACTOR TO COMPLY WITH THE RECOMMENDATIONS PROVIDED BY THE GEOTECHNICAL ENGINEER REPORT (PROJECT #03-819-002139) FOR THIS PROJECT REGARDING SITE PREPARATION, GRADING, COMPACTION ETC.
 3. ALL STREET LIGHTS SHALL BE INSTALLED WITH LIGHT CONCRETE PEDESTAL AS PER SOUTH JORDAN CITY STANDARD DETAIL, "STREET LIGHT DETAIL, LIGHT PEDESTAL DETAIL, CATEGORY 1, 2, 3 & 4."
 4. COMPACT PER APWA SECTION 02324 TO A MODIFIED PROCTOR DENSITY OF 96% OR GREATER.
 5. SIDEWALK AND PARK STRIP LOCATIONS VARY. SEE STREET PLANS FOR SIDEWALK LOCATIONS.
 6. COLD WEATHER PAVING APPROVAL WILL BE REQUIRED BY SJC AFTER OCTOBER 15
 7. PAVEMENT SECTIONS BASED ON DAYBREAK VILLAGE 4A GEOTECHNICAL REPORT. AMEC NO. 03-819-002139



L PAVEMENT SECTION (RESIDENTIAL)
VAR SCALE: N.T.S.



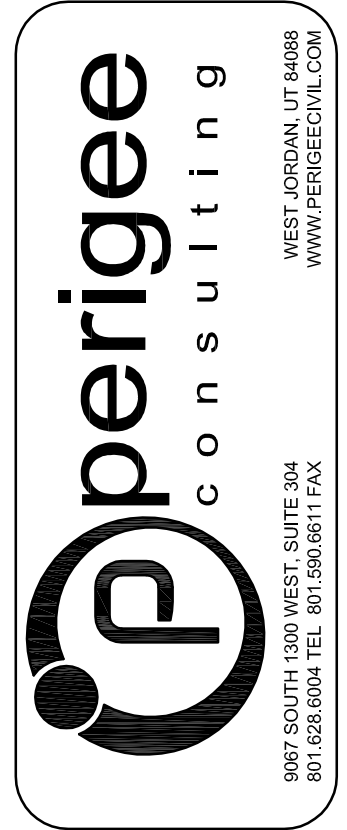
M PAVEMENT SECTION (LANES)
VAR SCALE: N.T.S.



Z LANE - 20' ROW
VAR SCALE: 1" = 4'



BID SET - NOT FOR CONSTRUCTION



SOUTH JORDAN CITY

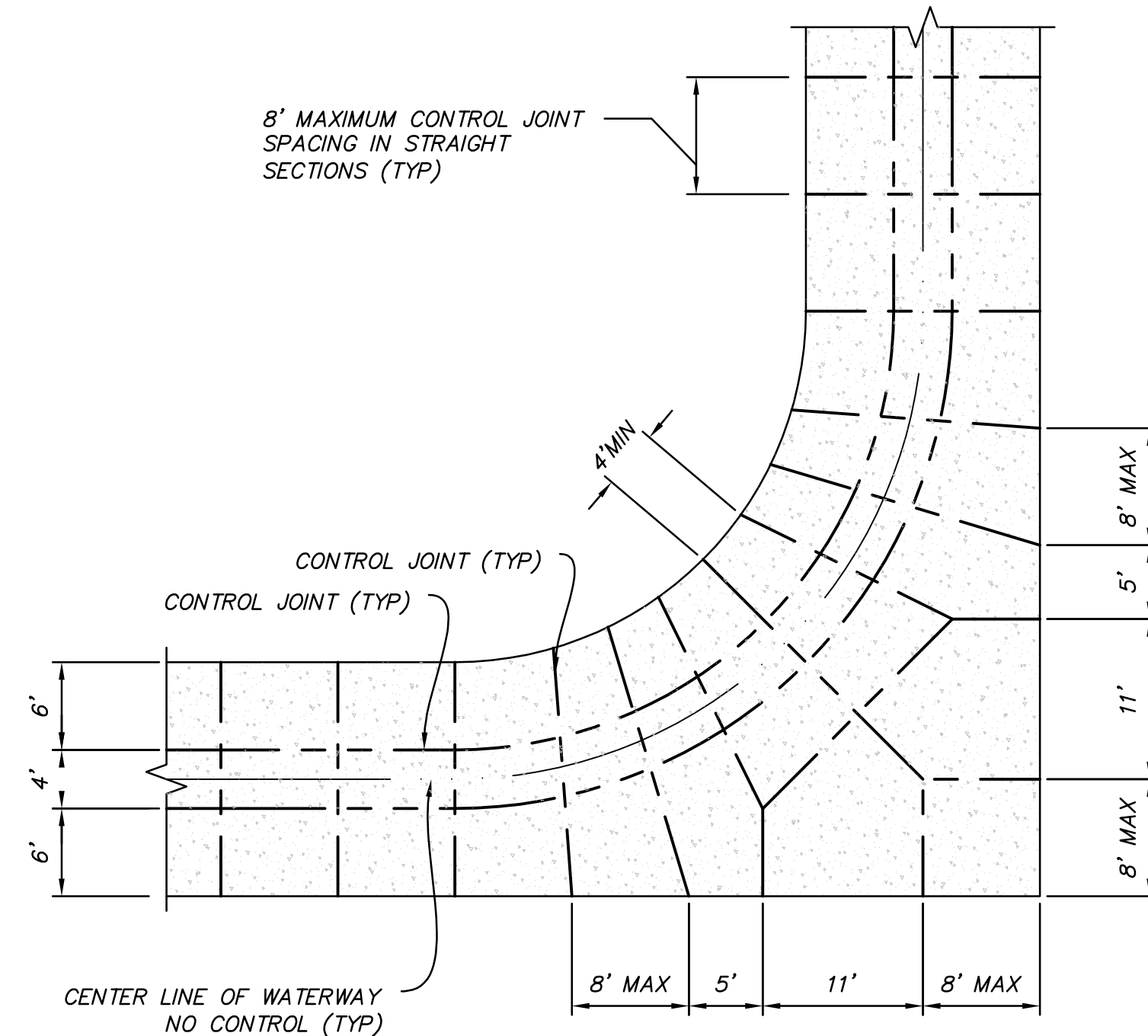
CITY ENGINEER DATE

NO.	DATE	DESCRIPTION	MARK	APP.

DESIGNED BY: JTA	DATE: APRIL 2015	REV:
DRAWN BY: SAS	CITY OF: XXX	
SUBMITTED BY: N:\00182_Daybreak\05daybreak\05_0003	CONTRACT NO: 00418	
FILE NAME: N:\00182_Daybreak\05daybreak\05_0003	PROJECT DATE: 4/20/2015 4:31:16 PM	
SIZE: VARIED		

DAYBREAK V5MF1
GENERAL NOTES

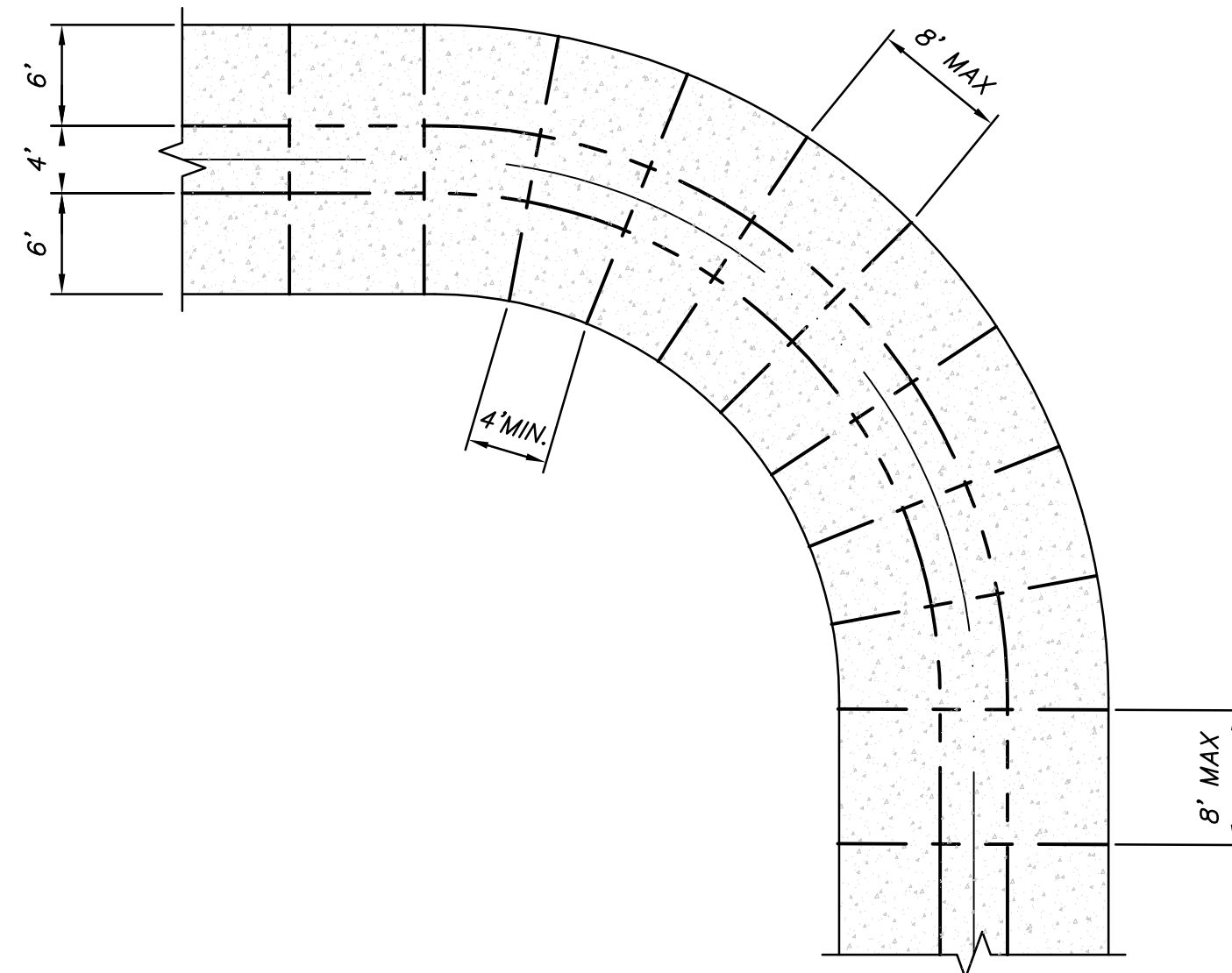
SHEET NUMBER
05
OF 17 SHEETS
DRAWING NAME
GN03



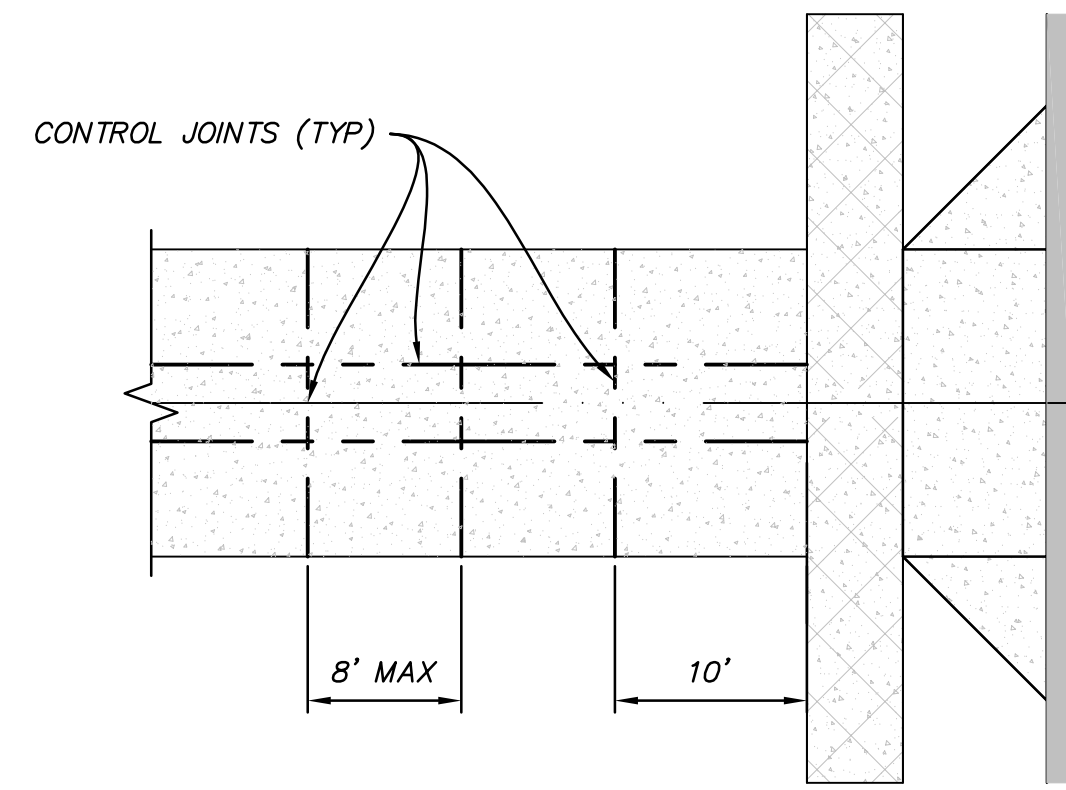
FF VAR CONTROL JOINT @ 90° W/LOT ACCESS
SCALE: 1"=10'

GENERAL NOTES:

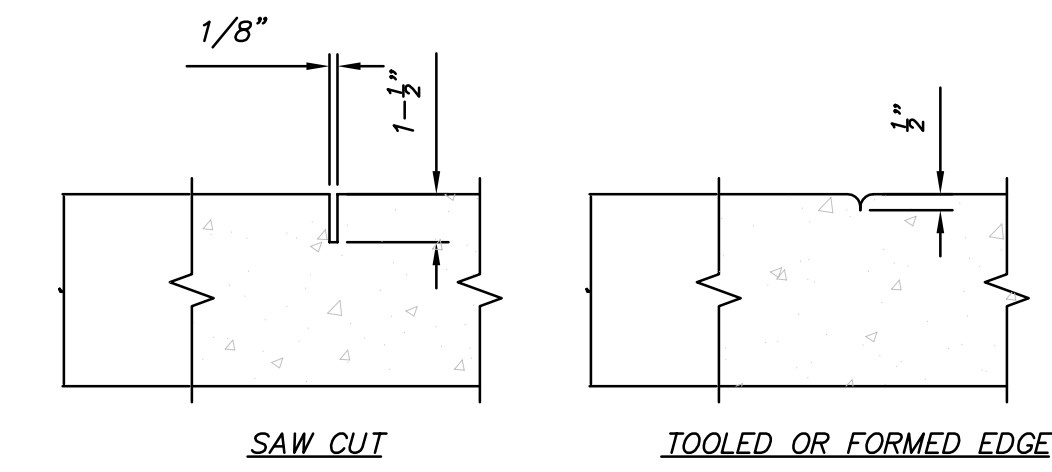
1. NO CONTROL JOINTS @ CENTERLINE OF ALLEY WAY, UNLESS SHOWN.
2. CONTROL JOINTS MAY BE A FORMED EDGE, A CONCRETE SAW CUT, OR A TOOLED EDGE.
3. ALL OUTSIDE EDGES OF THE ALLEY ARE TO BE TOOLED W/1/2", 1/4 ROUND.
4. ALL CONCRETE TO BE 4,000 psi, W/SLIGHT BROOM FINISH, TRANSVERSE TO DRIVE PATH.



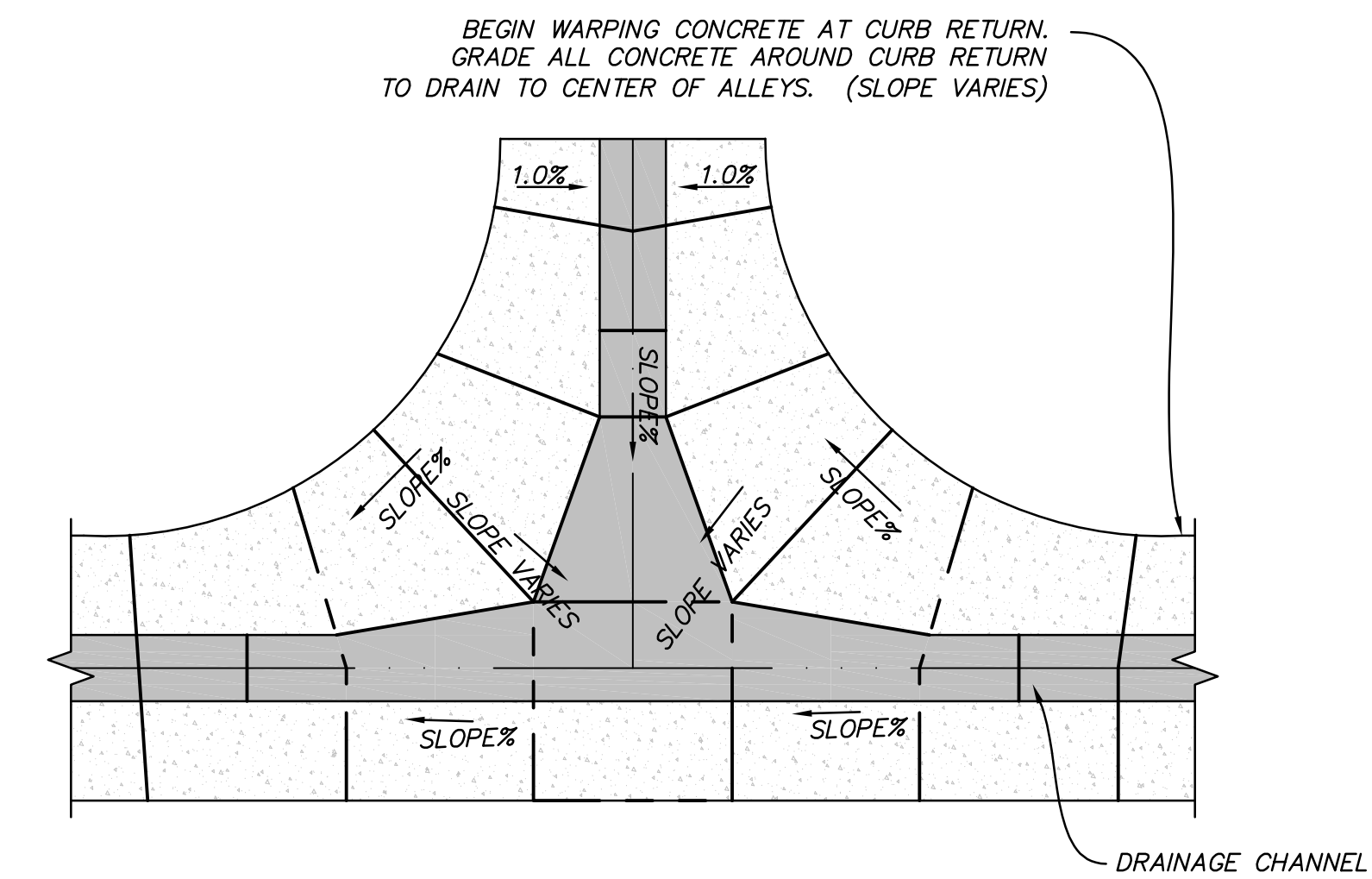
GG VAR CONTROL JOINT @ 90° BEND
SCALE: 1"=10'



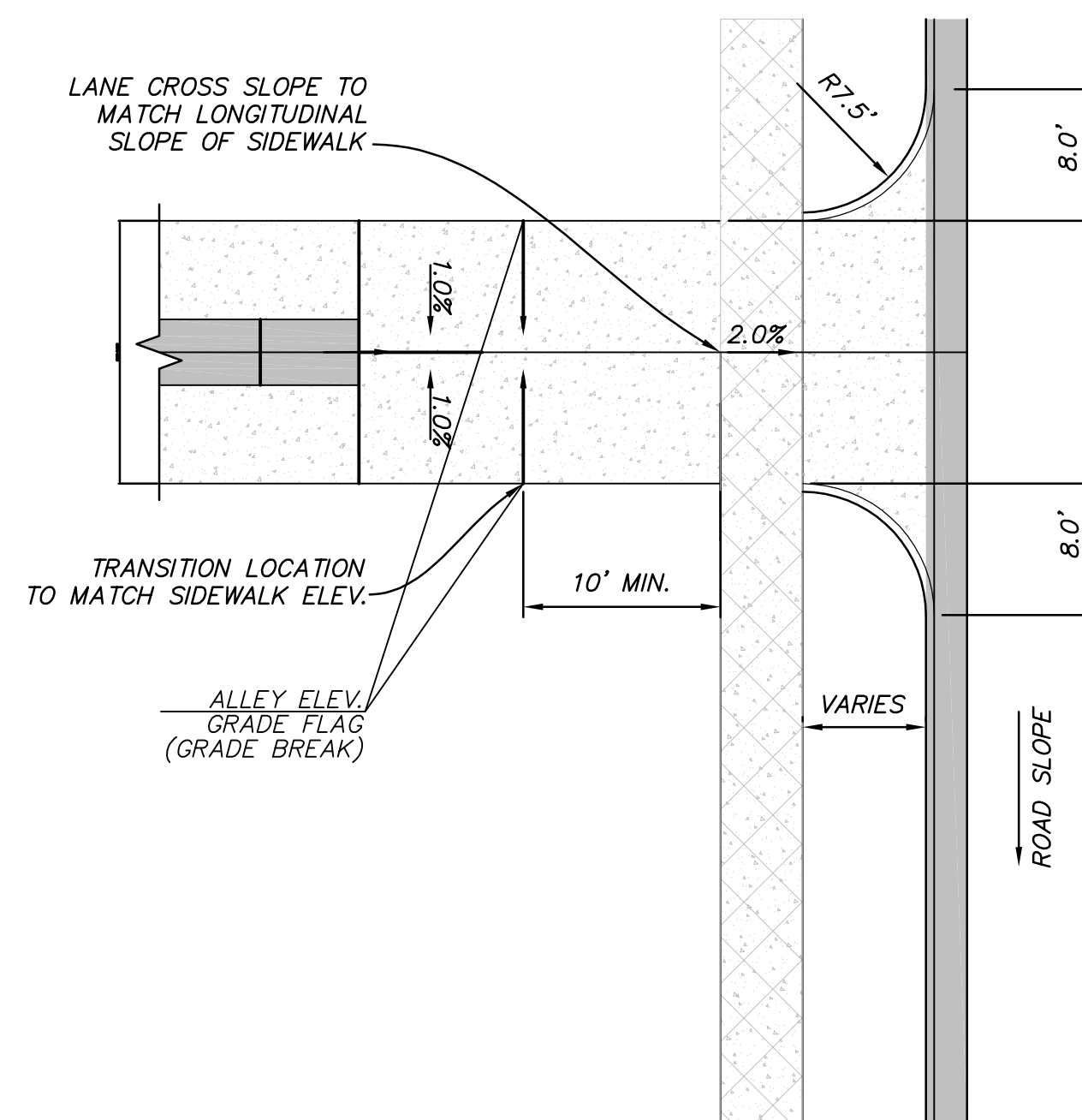
HH VAR CONTROL JOINT @ SIDEWALK
SCALE: 1"=10'



II VAR CONTROL JOINT DETAIL
SCALE: 1/2"=1'

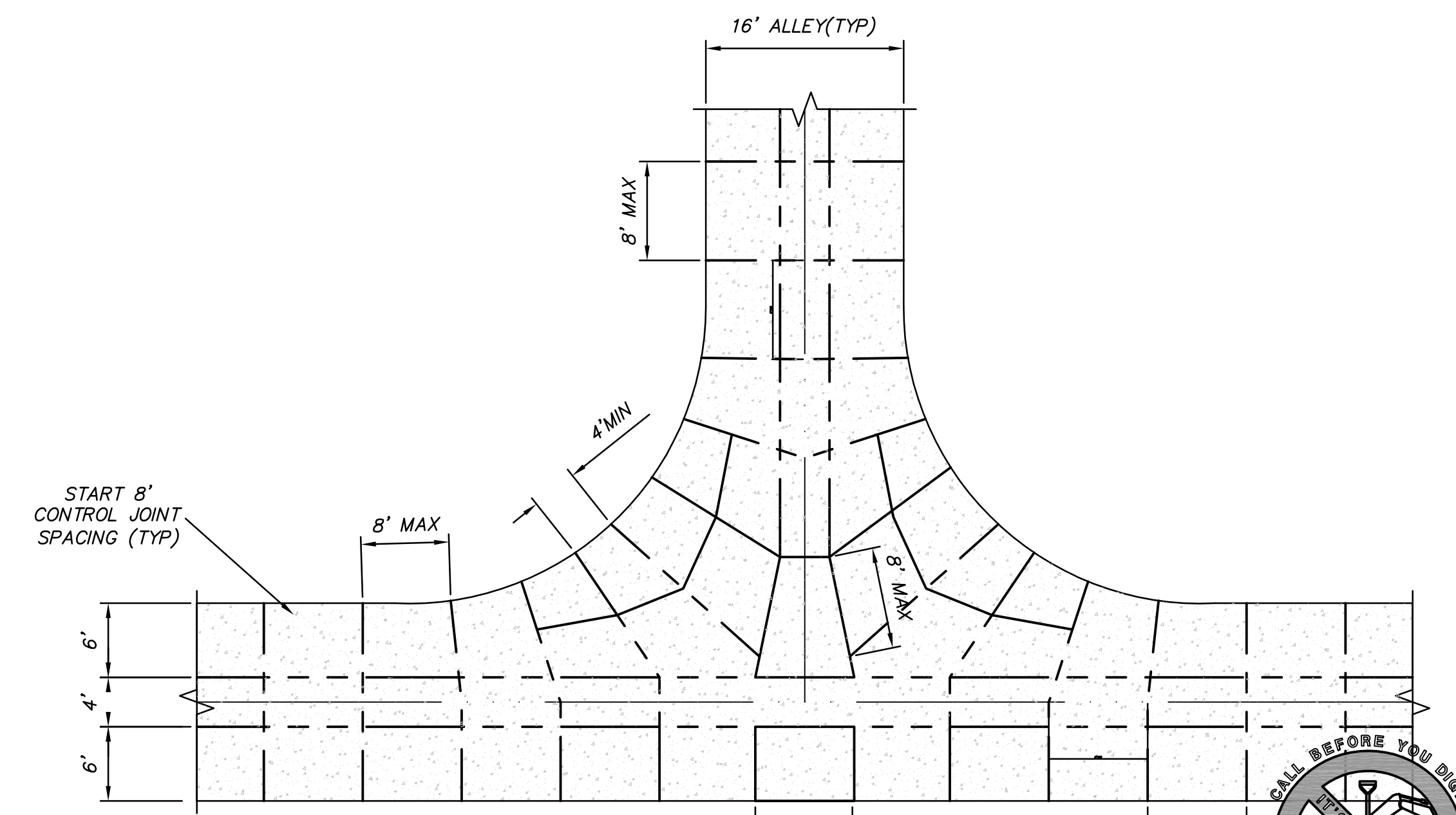


AA VAR LANE GRADING AND DRAINAGE DETAIL
NOT TO SCALE



NOTE: ELEVATION GRADE FLAGS USED FOR VARIATION IN CONSTRUCTION FROM STANDARD ROAD SECTION

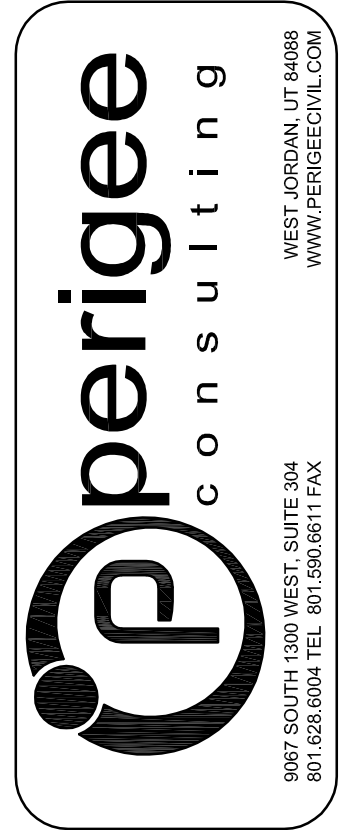
Y VAR LANE GRADING AND DRAINAGE DETAIL
NOT TO SCALE



LL VAR CONTROL JOINT @ TEE
SCALE: 1"=10'



BID SET - NOT FOR CONSTRUCTION



SOUTH JORDAN CITY

REV.	DATE	DESCRIPTION	DATE	APPR.

DESIGNED BY: JTA	DATE: APRIL 2015	REV:
DRAWN BY: SAS	SUBMITTANCE: XXX	
CHECKED BY: SAS	CONTRACT NO: 00418	
FILE NAME: N:\0182_Daybreak_V5MF1\0418_0102	PROJECT DATE: 4/20/2015 4:36:52 PM	
SIZE: VARIED		

DAYBREAK V5MF1 DETAILS

SHEET NUMBER 16
OF 17 SHEETS
DRAWING NAME DT02

