





















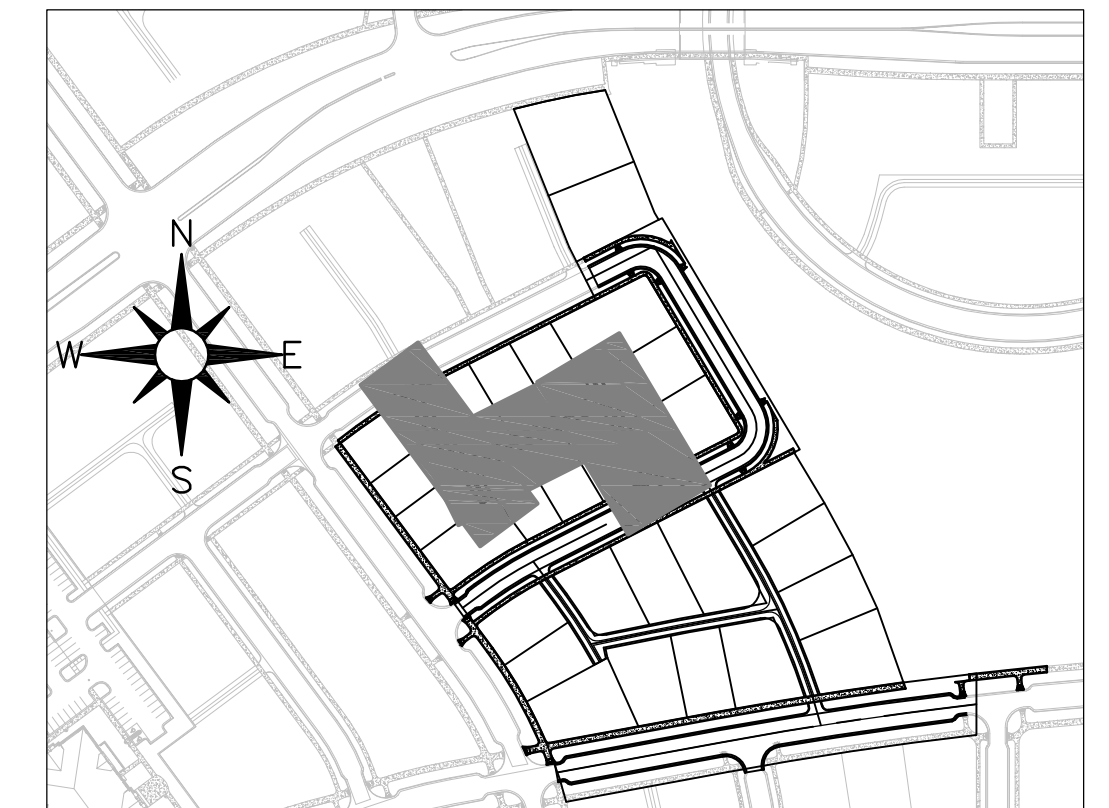
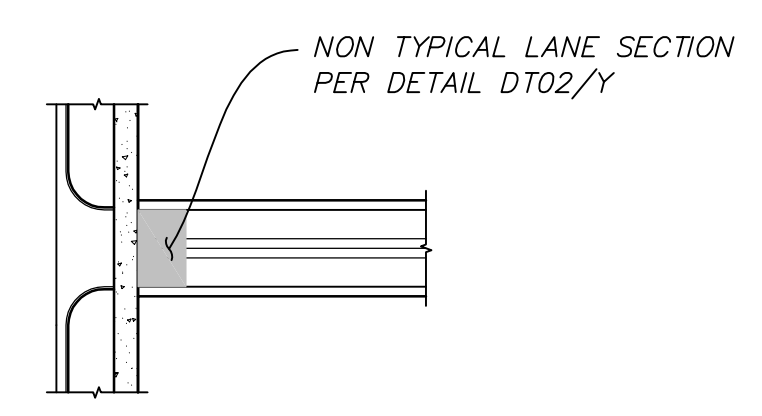
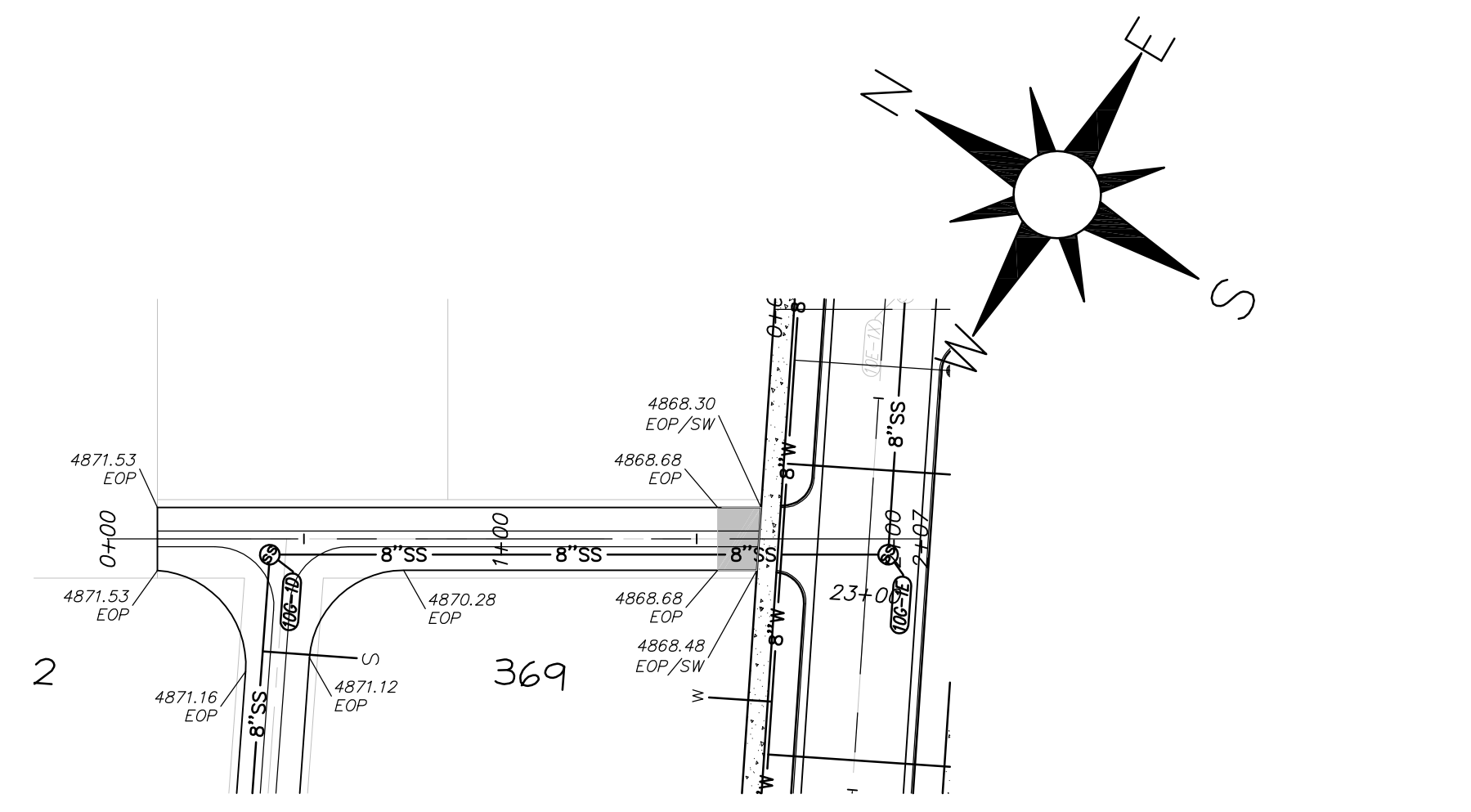
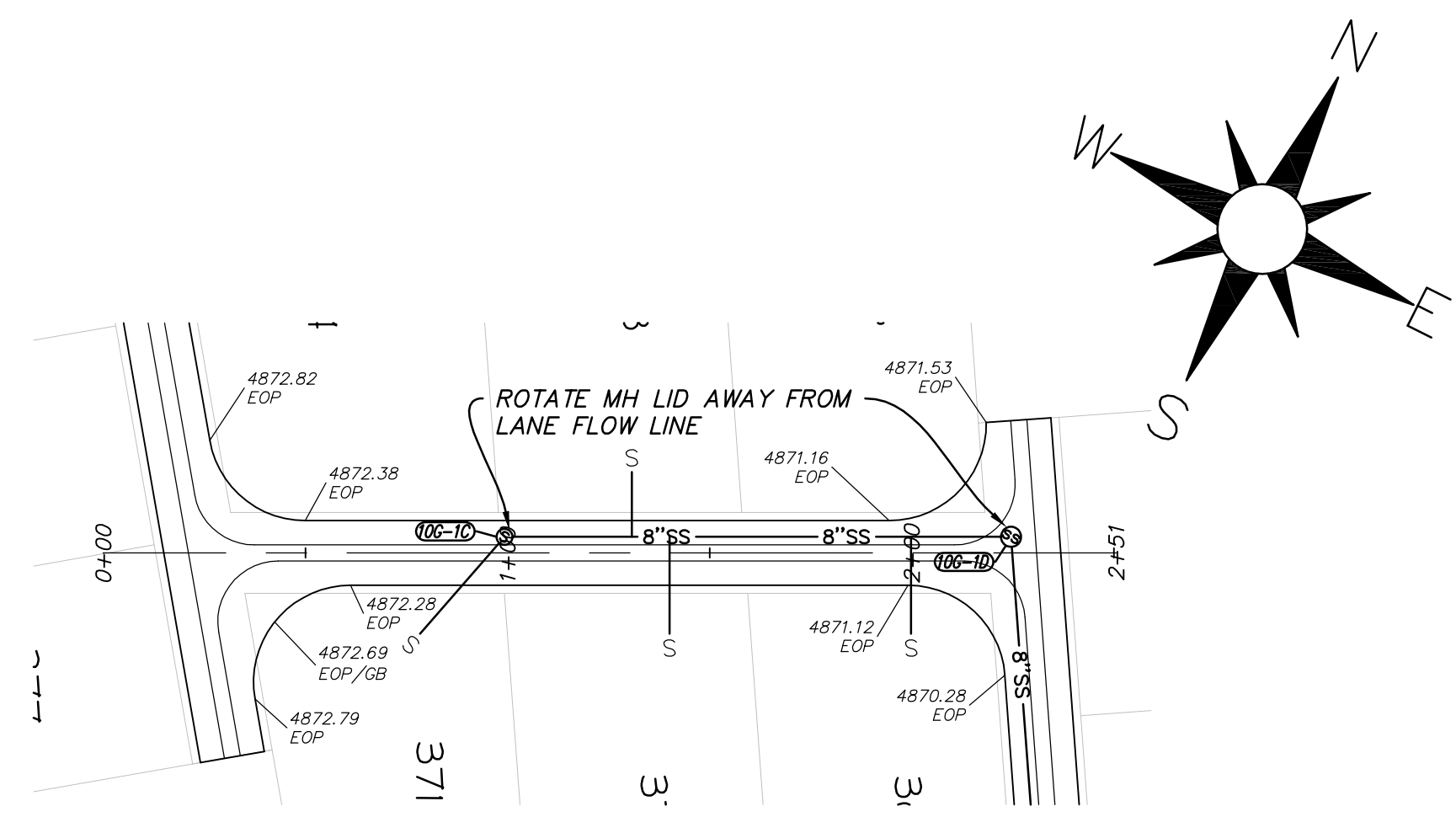
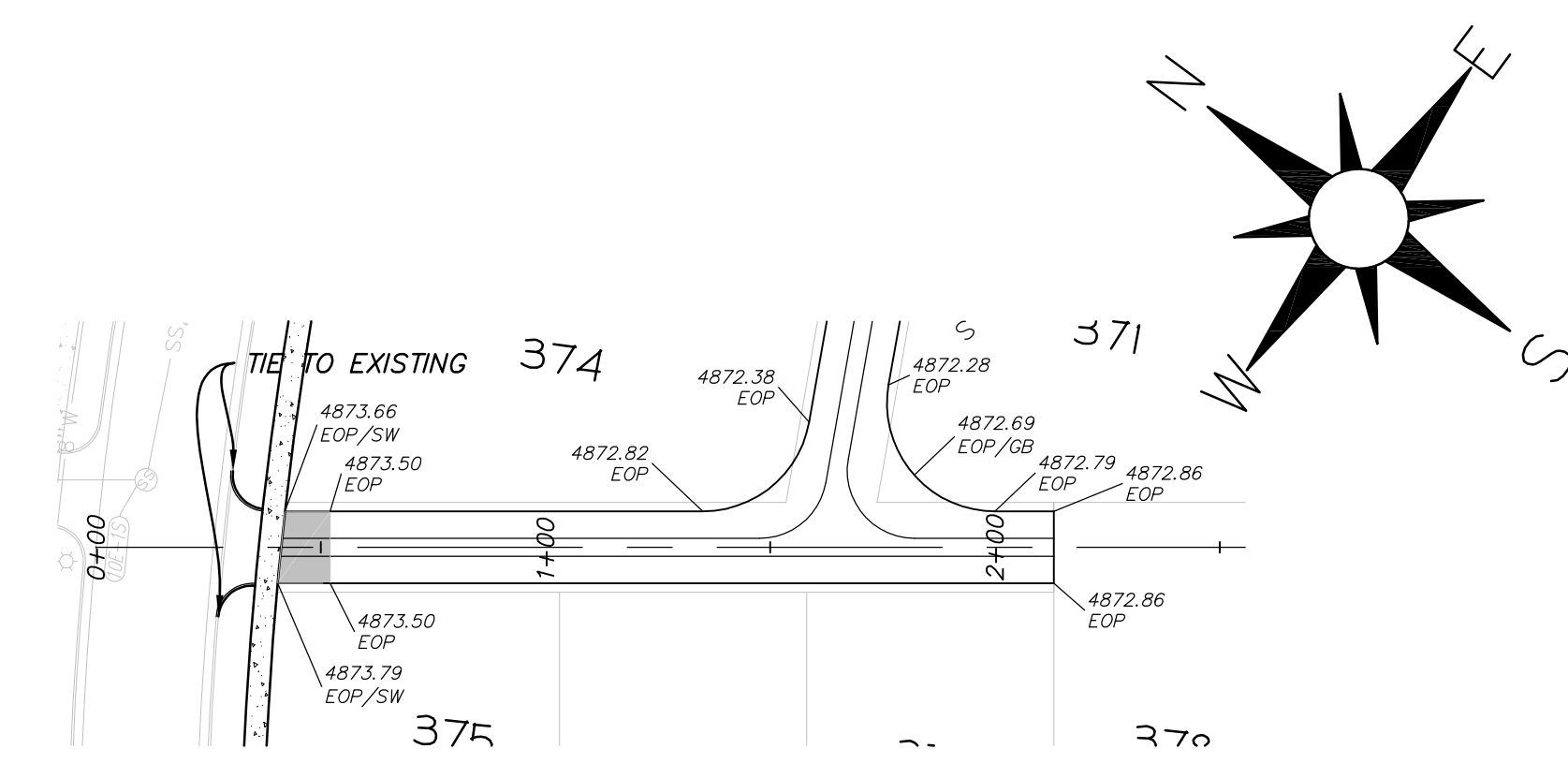


NO.	DATE	DESCRIPTION	BY

DESIGNED BY: JTA	DATE: JUNE 2014	REV:
DRAWN BY: MAIL	CONTRACTOR: XXX	SUBMITTAL NO:
SUBMITTED BY:	CONTRACT NO: 00396	FILE NAME:
FILE NAME: N:\00182_Daybreak\00396\001\2_P03	PLOTTED BY:	PLLOT DATE: 6/13/2014 11:33:07 AM
SIZE: A3	SCALE:	DATE:

**DAYBREAK  
 PLAT 10G**  
 PLAN AND PROFILE  
 LANE 03, LANE 04 & LANE 06

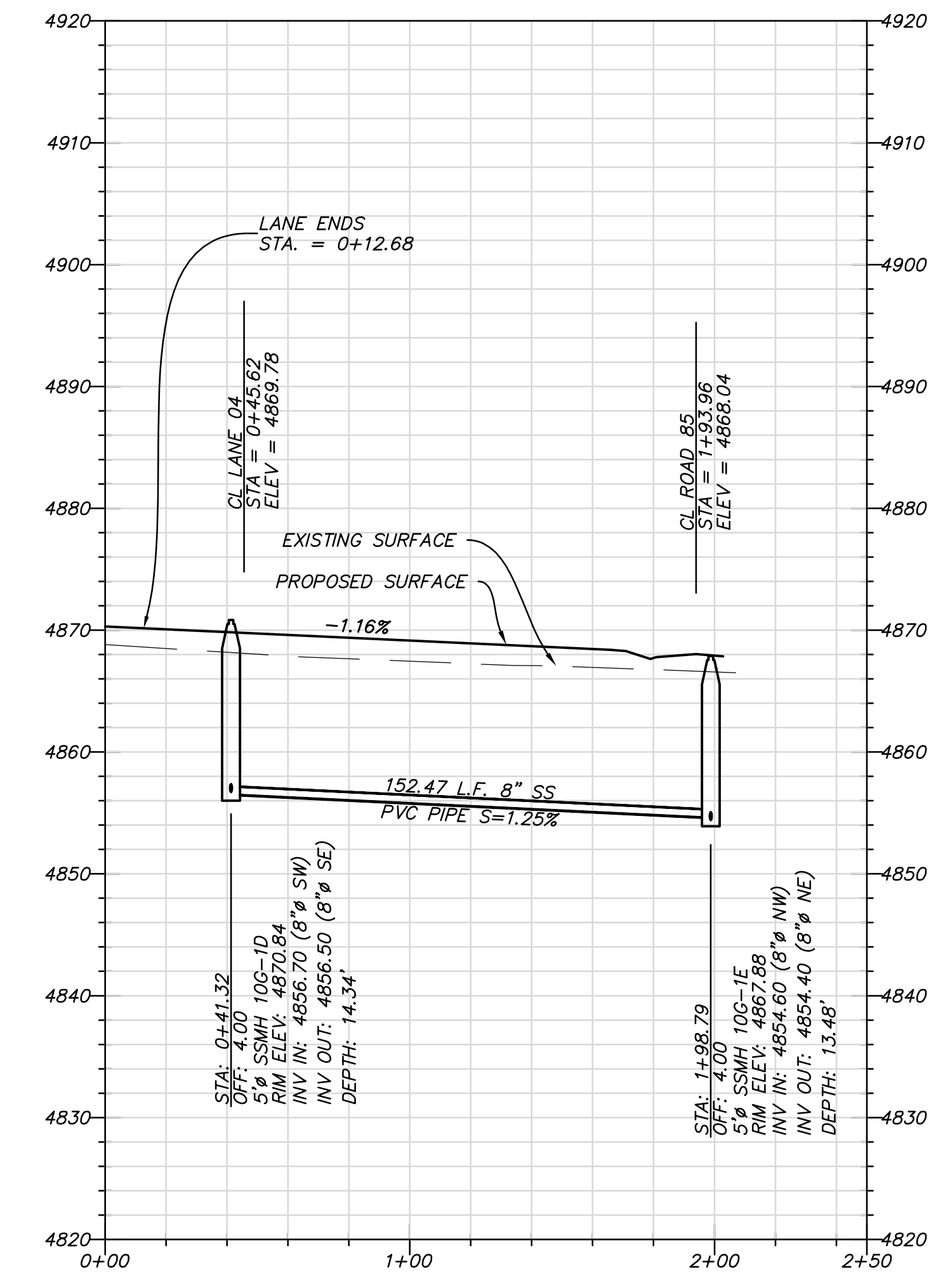
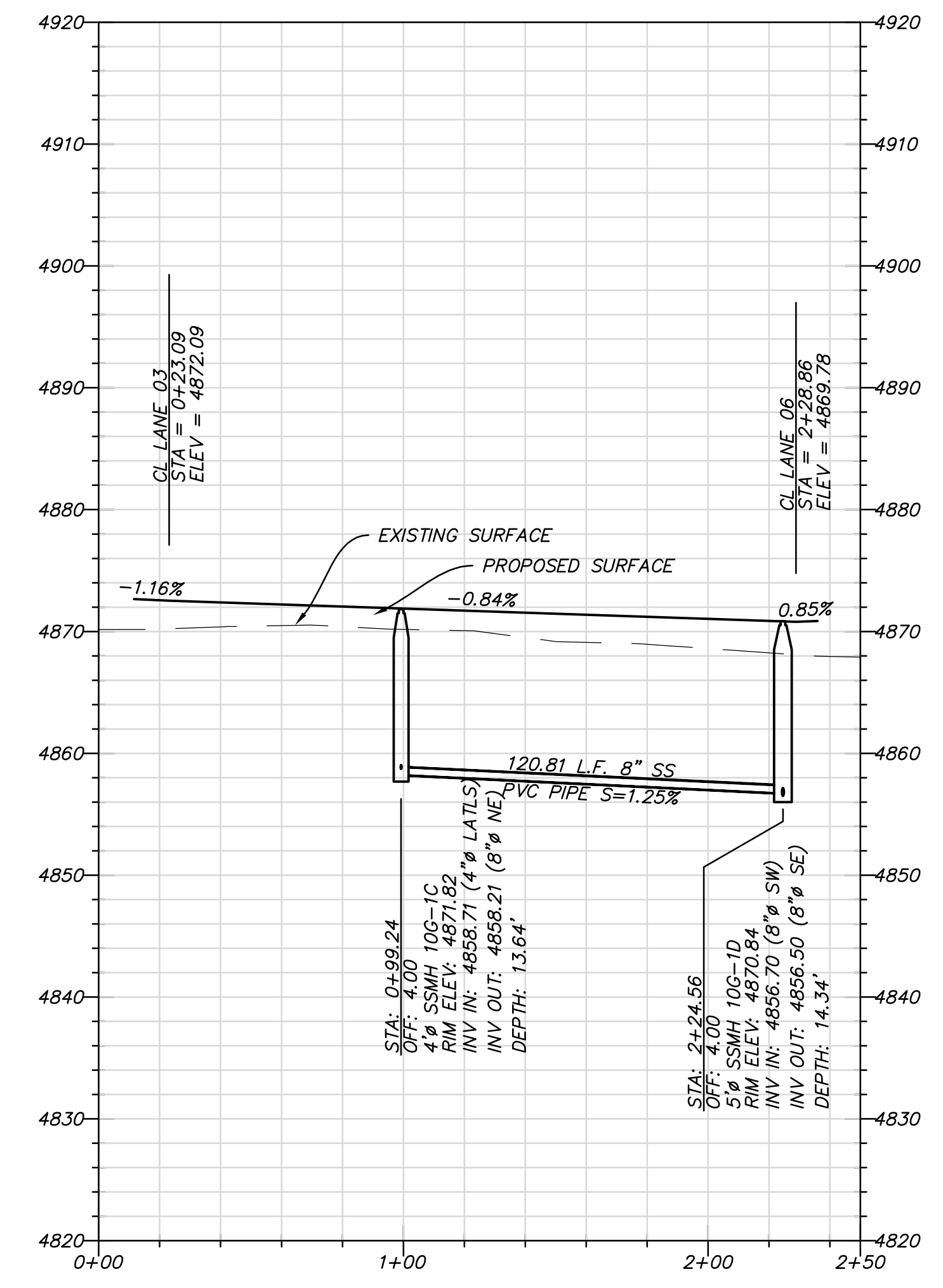
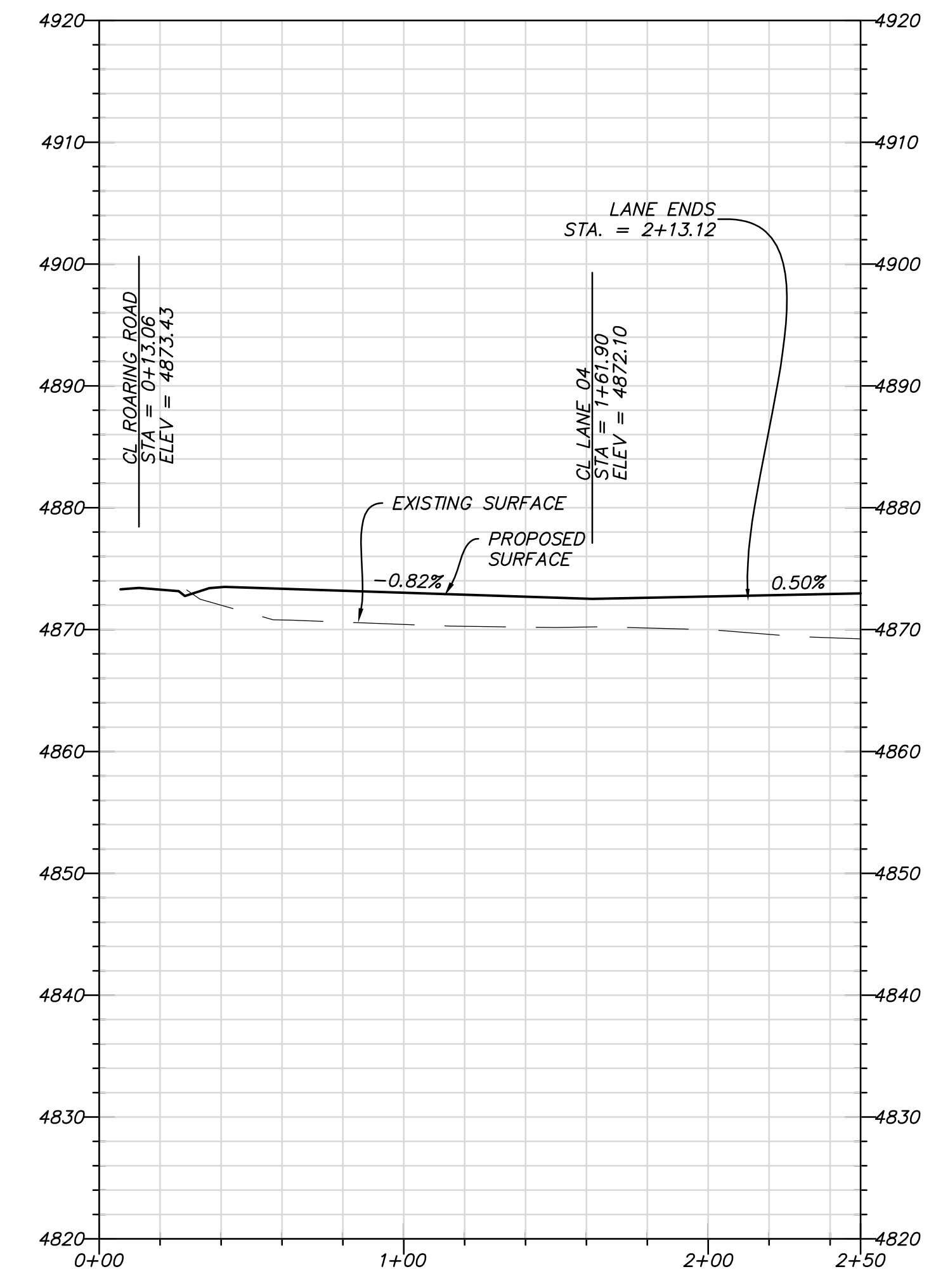
SHEET NUMBER  
**12**  
 OF 17 SHEETS  
 DRAWING NAME  
**PP03**



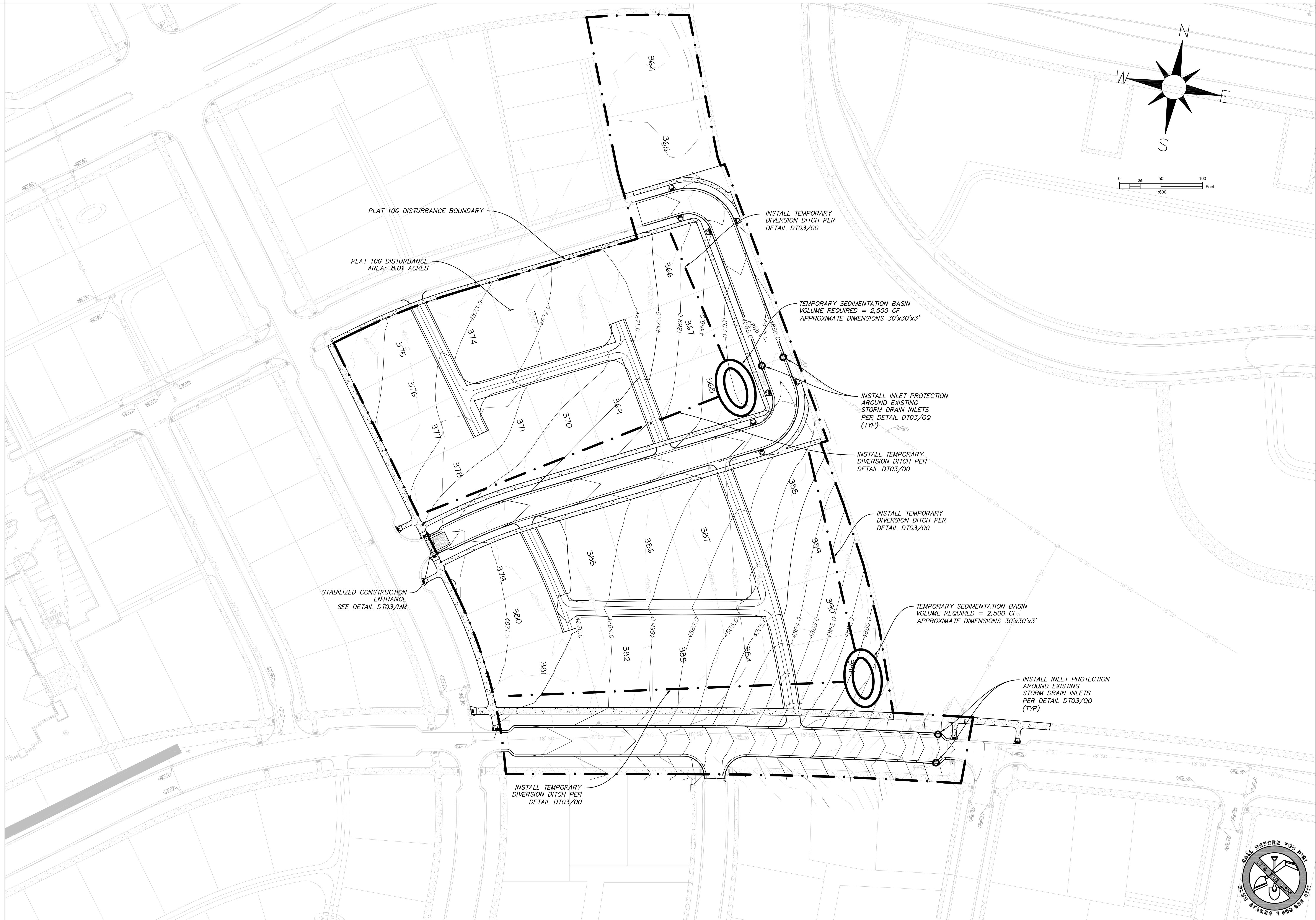
**LANE 03**  
 STA: 00+00 TO 02+50

**LANE 04**  
 STA: 00+00 TO 02+50

**LANE 06**  
 STA: 00+00 TO 02+50







**SOUTH JORDAN CITY**

CITY ENGINEER DATE

NO.	DATE	DESCRIPTION	MARK

DESIGNED BY: JTA	DATE: JUNE 2014	REV:
DRAWN BY: AML	CHECKED BY: XXX	SUBMITTANCE NO:
SUBMITTED BY:	CONTRACT NO: 00396	FILE NAME: N:\00182_Daybreak\00396\00014_EC01
FILE NAME:	PROJECT DATE: 6/13/2014 11:34:05 AM	SIZE:
VERSION:		

**DAYBREAK  
PLAT 10G  
EROSION CONTROL PLAN**

SHEET NUMBER  
**14**  
OF 17 SHEETS  
DRAWING NAME  
**EC01**

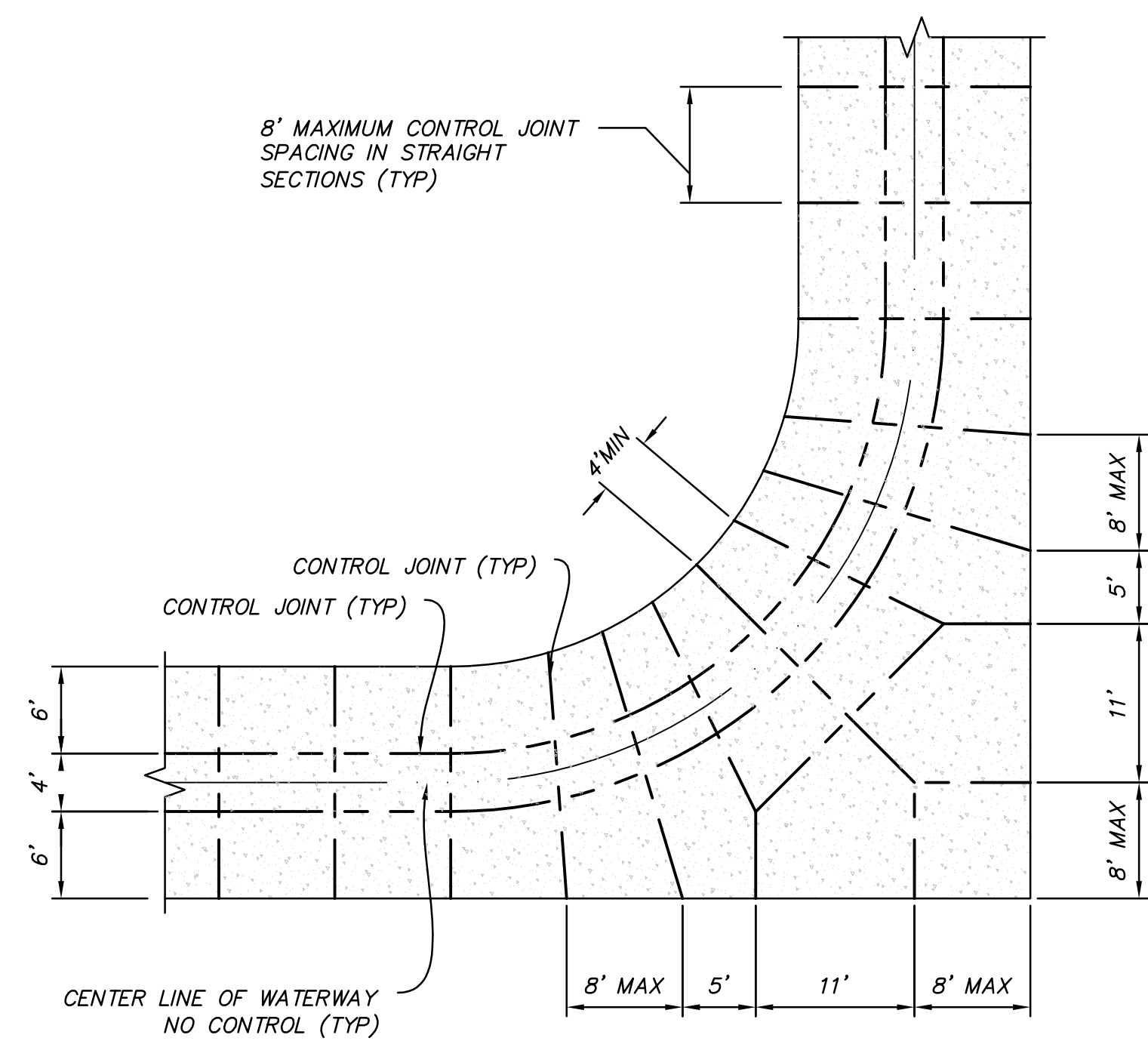




NO.	DATE	DESCRIPTION	MARK

DESIGNED BY: JTA	DATE: JUNE 2014	REV:
DRAWN BY: MAIL	SUBMITTER NO: XXX	
SUBMITTED BY:	CONTRACT NO: 003965	
FILE NAME: N:\00182_Daybreak\00daybreak\0001\16 DT02	PROJECT DATE: 6/13/2014 11:34:20 AM	
SIZE:	PLOTTED BY:	
VARIED		

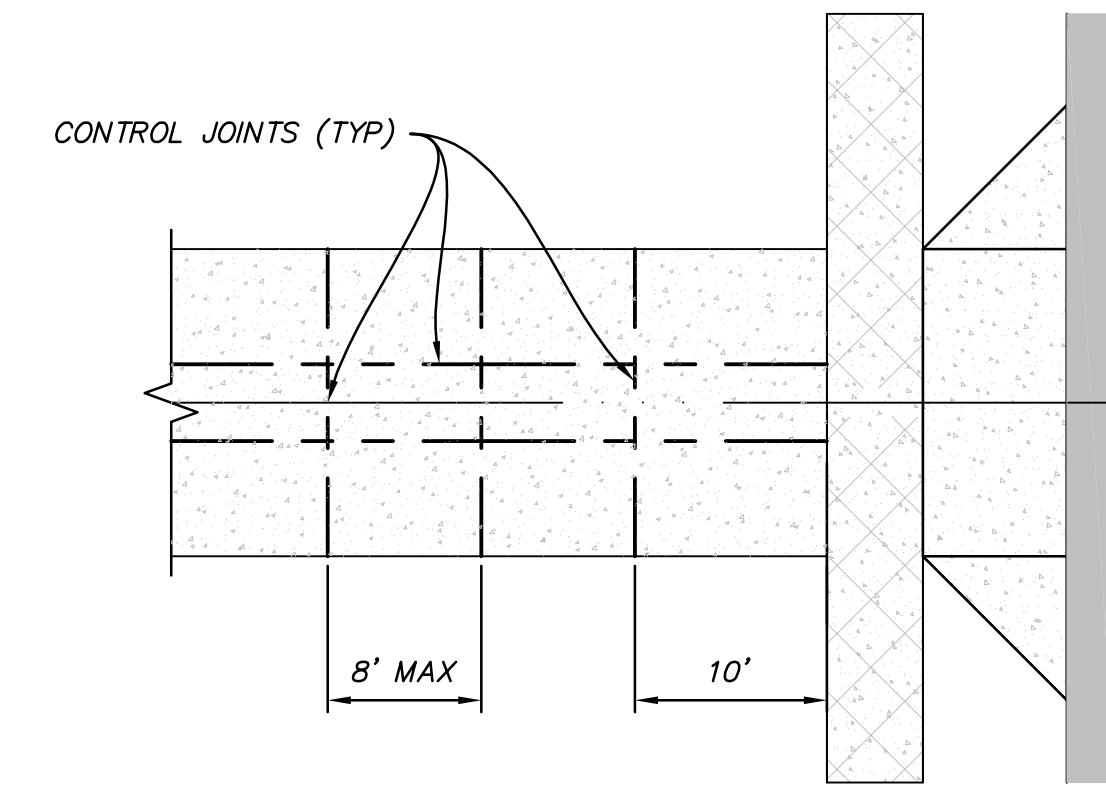
**DAYBREAK  
PLAT 10G  
DETAILS**



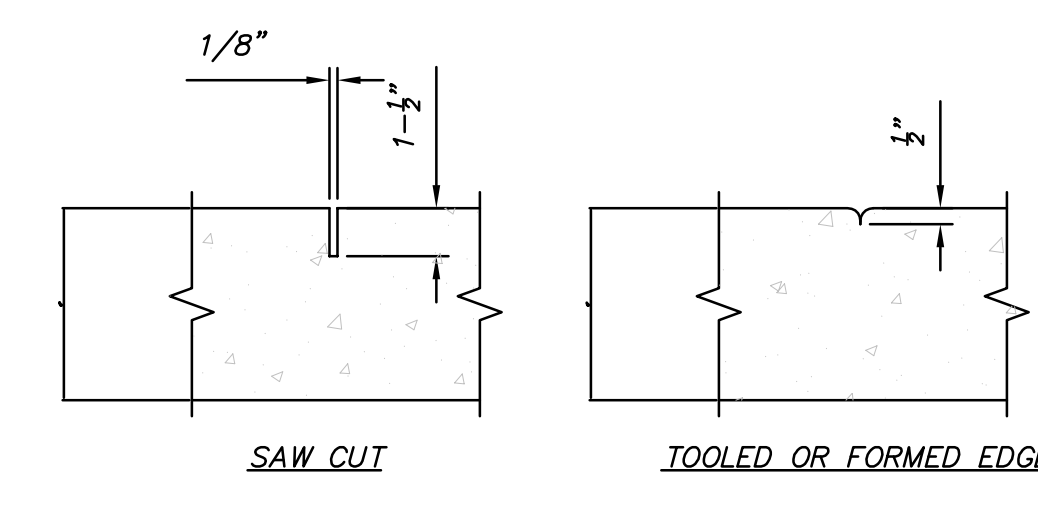
**CONTROL JOINT @ 90° W/LOT ACCESS**  
SCALE: 1"=10'

**GENERAL NOTES:**

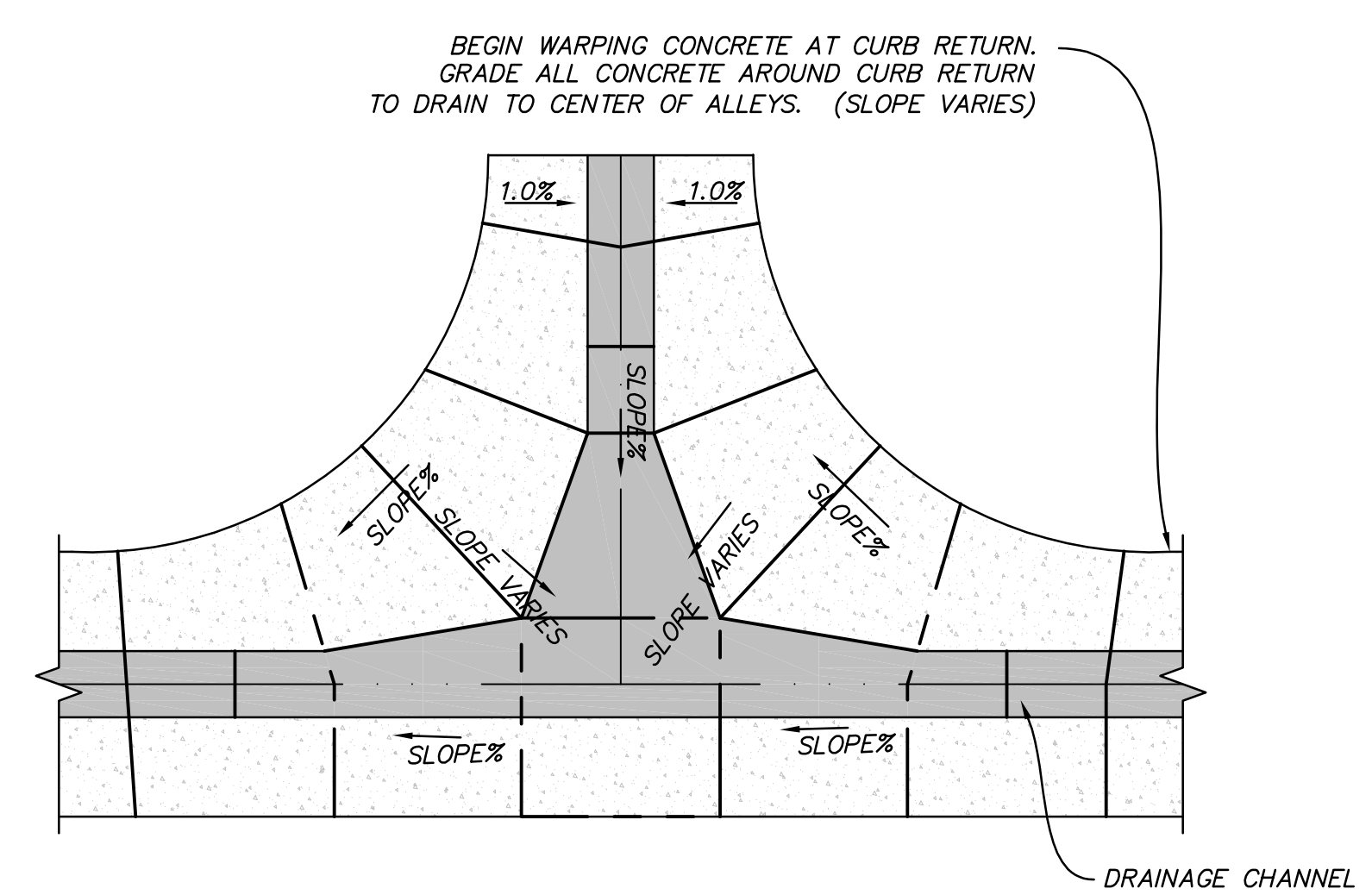
1. NO CONTROL JOINTS @ CENTERLINE OF ALLEY WAY, UNLESS SHOWN.
2. CONTROL JOINTS MAY BE A FORMED EDGE, A CONCRETE SAW CUT, OR A TOOLED EDGE.
3. ALL OUTSIDE EDGES OF THE ALLEY ARE TO BE TOOLED W/1/2", 1/4 ROUND.
4. ALL CONCRETE TO BE 4,000 psi, W/SLIGHT BROOM FINISH, TRANSVERSE TO DRIVE PATH.



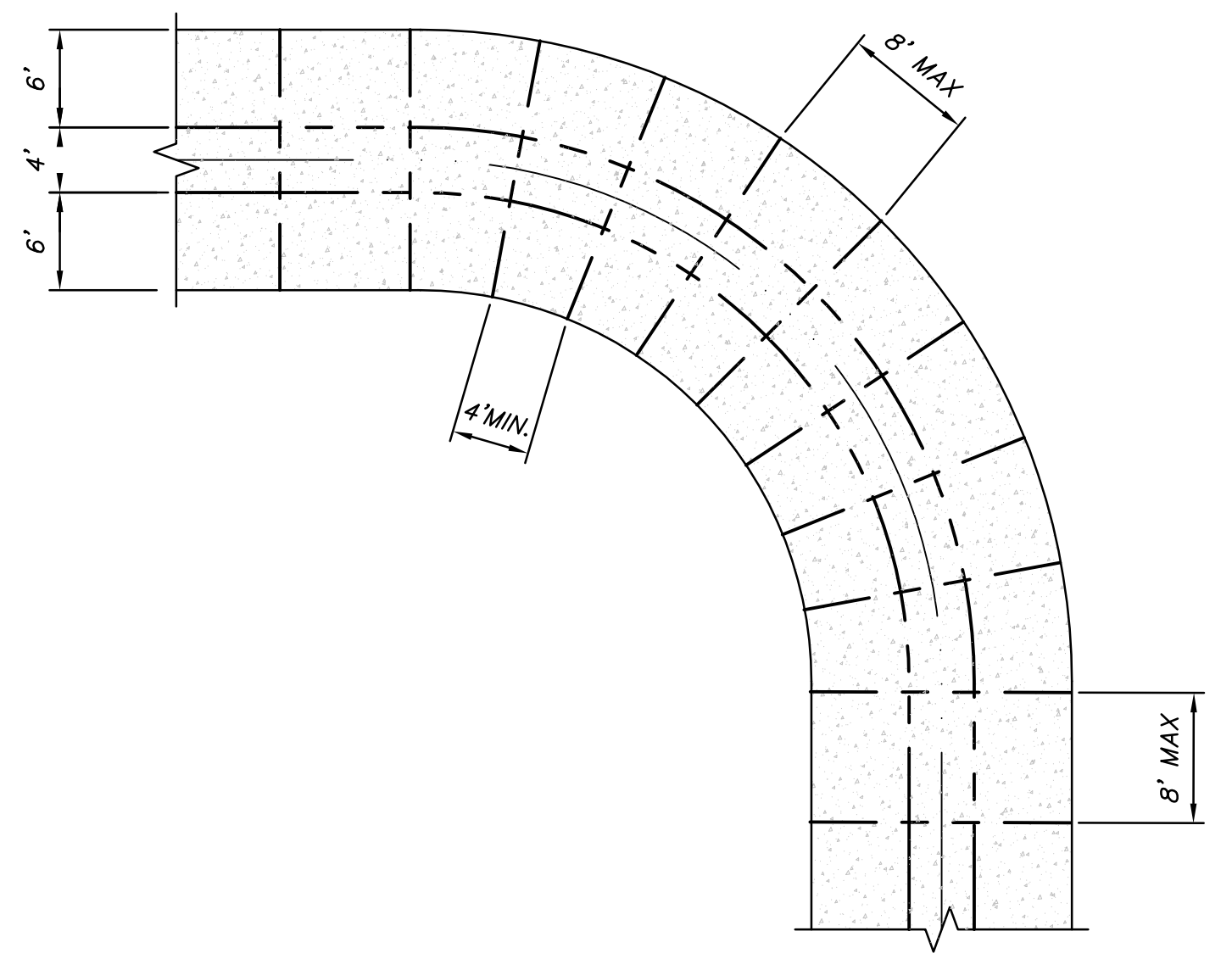
**CONTROL JOINT @ SIDEWALK**  
SCALE: 1"=10'



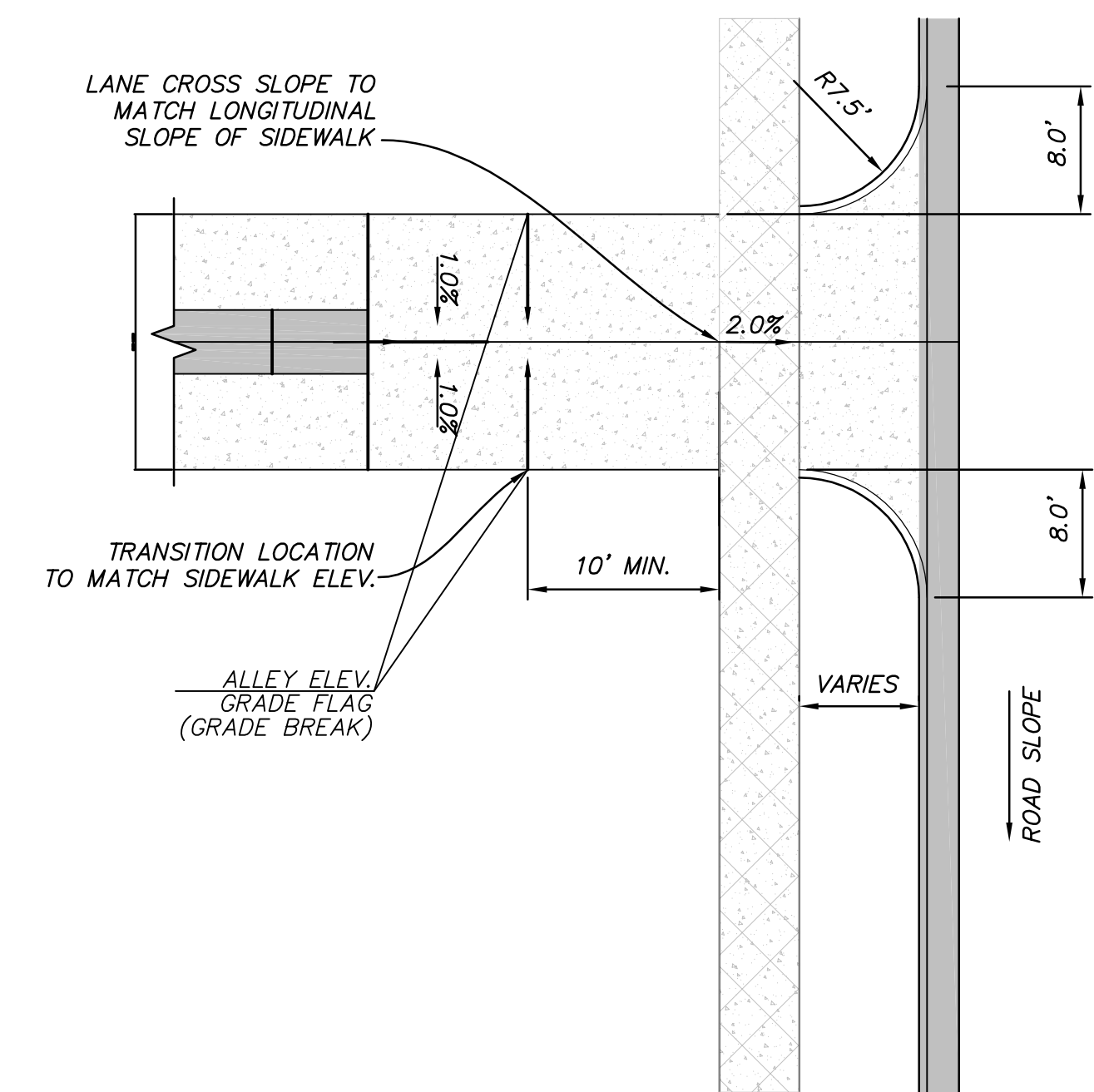
**CONTROL JOINT DETAIL**  
SCALE: 1/2"=1'



**LANE GRADING AND DRAINAGE DETAIL**  
NOT TO SCALE

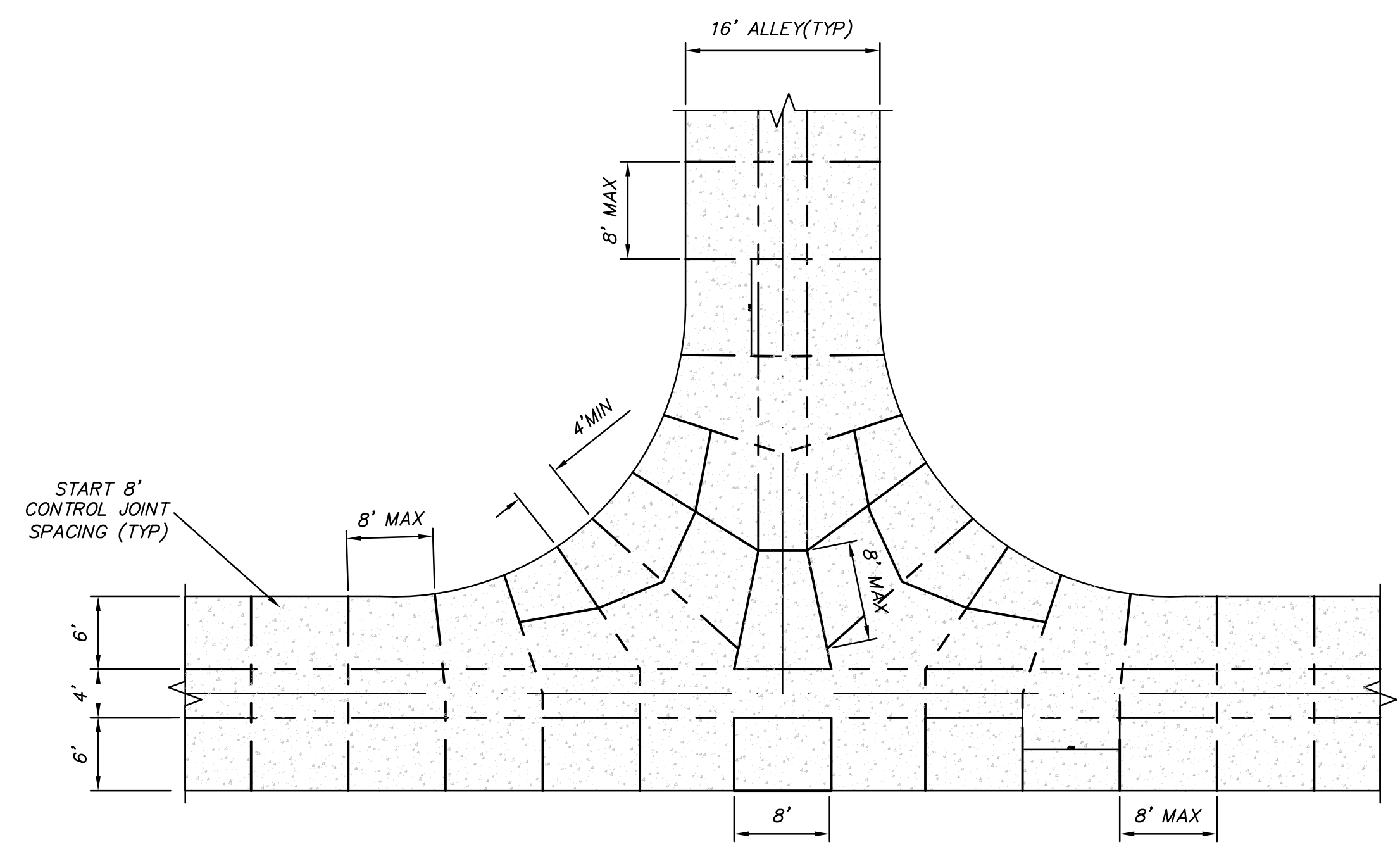


**CONTROL JOINT @ 90° BEND**  
SCALE: 1"=10'



NOTE: ELEVATION GRADE FLAGS USED FOR VARIATION IN CONSTRUCTION FROM STANDARD ROAD SECTION

**LANE GRADING AND DRAINAGE DETAIL**  
NOT TO SCALE



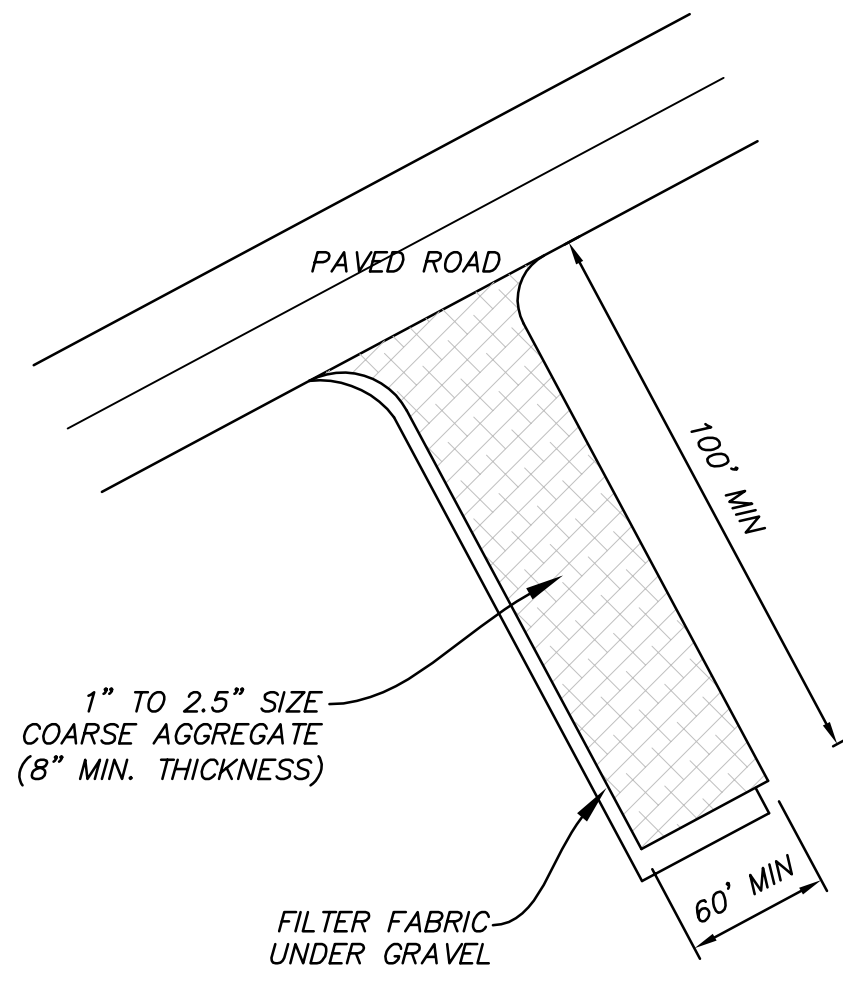
**CONTROL JOINT @ TEE**  
SCALE: 1"=10'

NO.	DATE	DESCRIPTION	MARK	DATE	APPR.

DESIGNED BY: JTA	DATE: JUNE 2014	REV:
DRAWN BY: AML	SUBMITTANCE: XXX	
DATE: JUNE 2014	CONTRACT NO: 00396	
FILE NAME: N:\00182_Daybreak\00396\PA\00A\17_0103	PROJECT DATE: 6/12/2014 11:34:25 AM	
SIZE: VARIED	PLOTTED BY:	

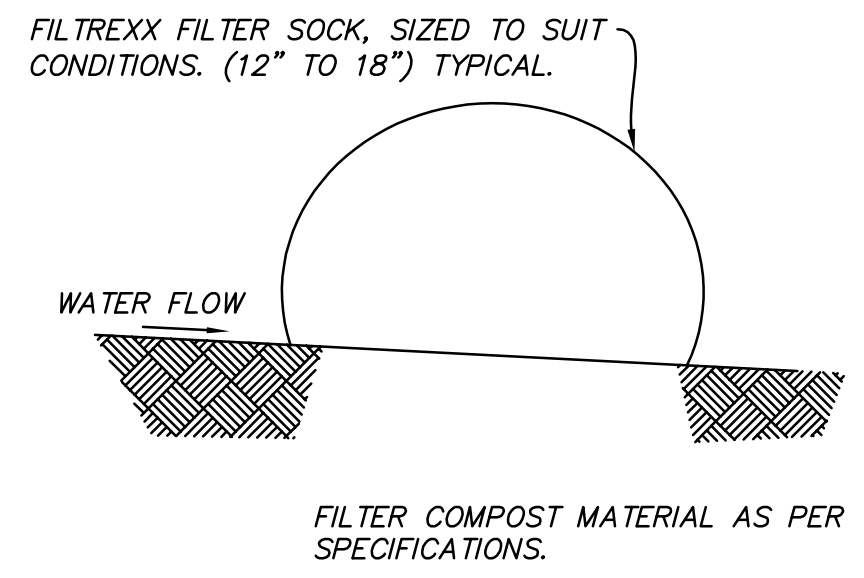
**DAYBREAK  
 PLAT 10G  
 DETAILS**

SHEET NUMBER  
**17**  
 OF 17 SHEETS  
 DRAWING NAME  
**DT03**

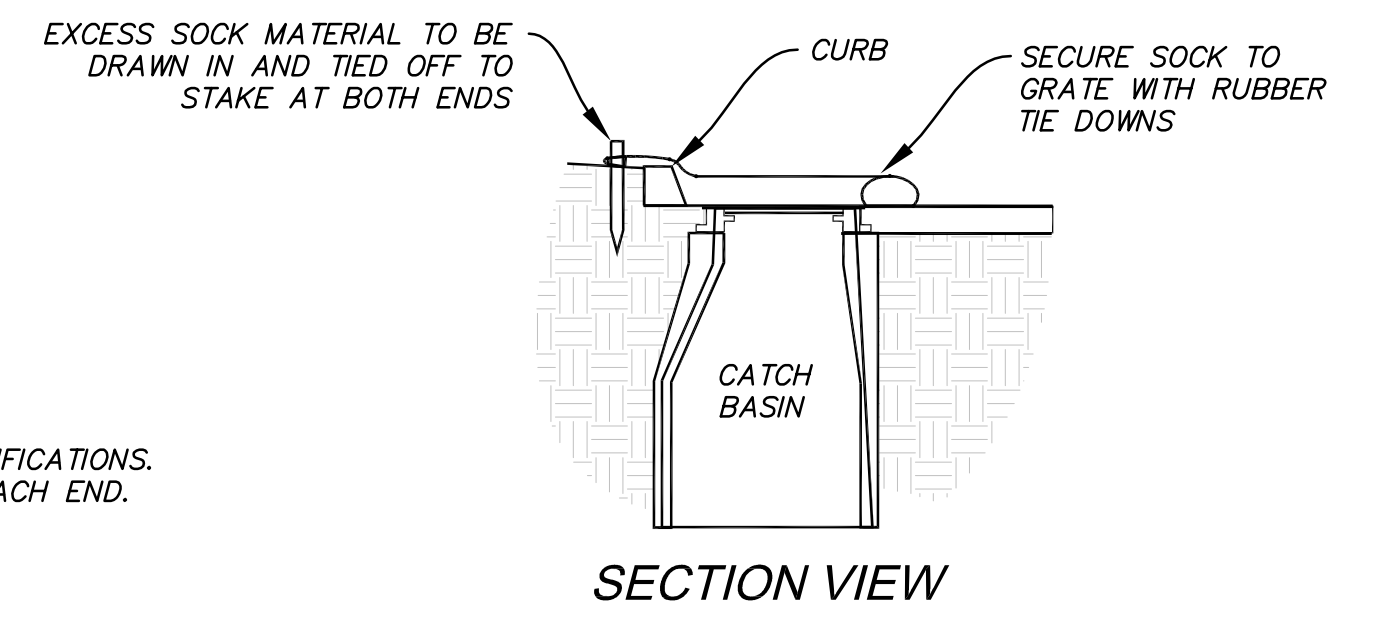
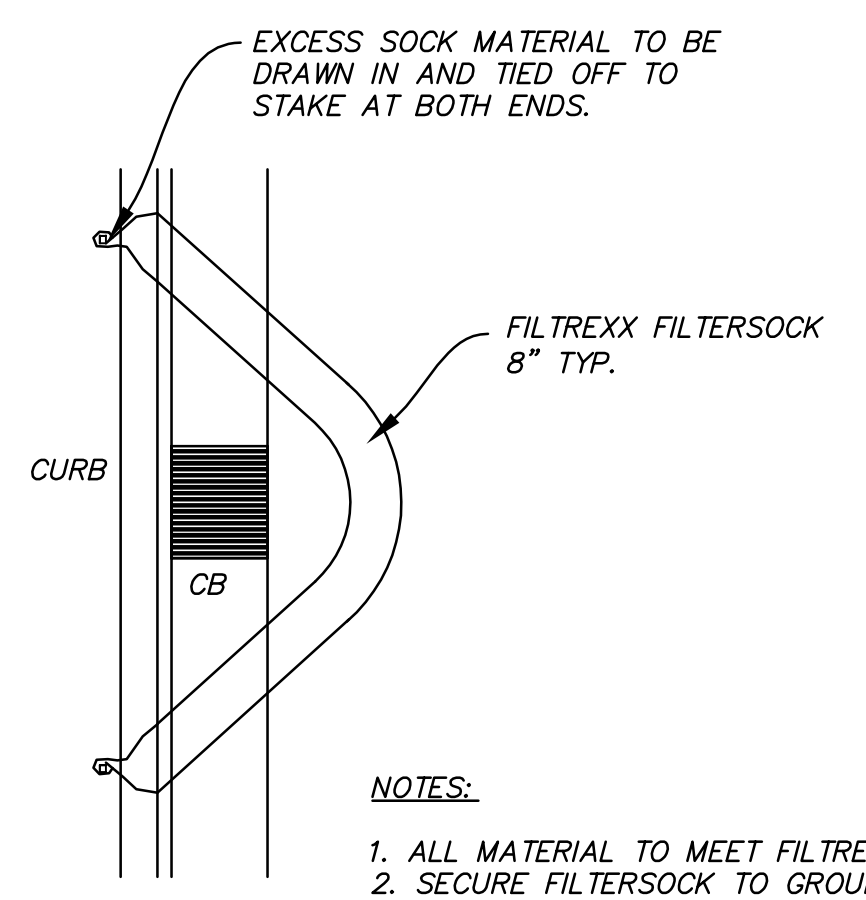


**MM VAR STABILIZED CONSTRUCTION ENTRANCE**  
 NOT TO SCALE

- NOTES:**
1. ALL MATERIAL TO MEET FILTREXX SPECIFICATIONS.
  2. THE CONTRACTOR SHALL MAINTAIN THE COMPOST FILTER BERM IN A FUNCTIONAL CONDITION AT ALL TIMES AND IT SHALL BE ROUTINELY INSPECTED.
  3. BERM WILL BE REGULARLY INSPECTED AND REPAIRED AS NECESSARY.
  4. THE CONTRACTOR SHALL REMOVE SEDIMENT COLLECTED AT THE BASE OF THE BERM WHEN THEY REACH 1/3 OF THE EXPOSED HEIGHT OF THE BERM, OR AS DIRECTED BY THE ENGINEER.
  5. THE COMPOST FILTER BERM WILL BE DISPERSED ON SITE WHEN NO LONGER REQUIRED, AS DETERMINED BY THE ENGINEER.

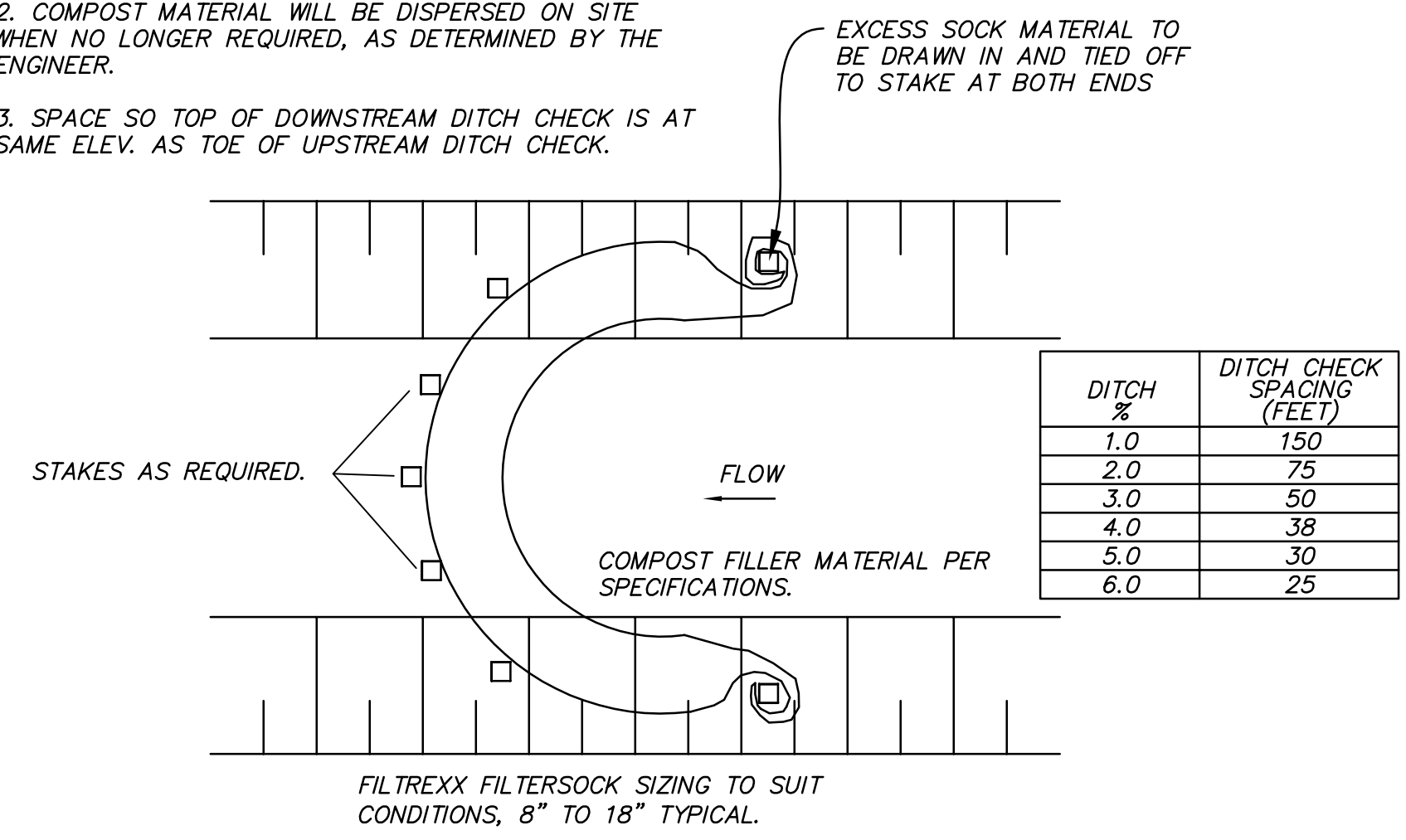


**NN VAR FILTREXX SEDIMENT CONTROL DETAIL**  
 NOT TO SCALE

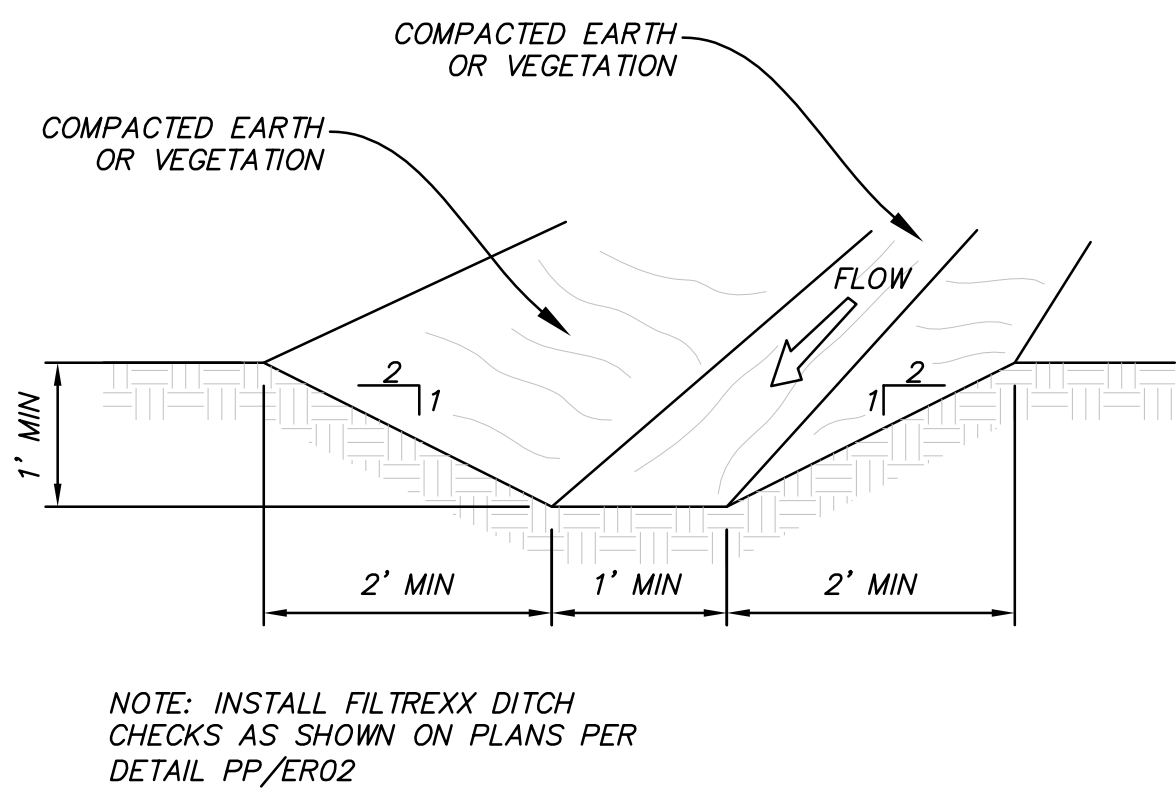


**QQ VAR FILTREXX INLET PROTECTION - CURB INLET**  
 NOT TO SCALE

- NOTES:**
1. ALL MATERIAL TO MEET FILTREXX SPECIFICATIONS.
  2. COMPOST MATERIAL WILL BE DISPERSED ON SITE WHEN NO LONGER REQUIRED, AS DETERMINED BY THE ENGINEER.
  3. SPACE SO TOP OF DOWNSTREAM DITCH CHECK IS AT SAME ELEV. AS TOE OF UPSTREAM DITCH CHECK.



**PP VAR TYPICAL FILTREXX DITCH CHECK**  
 NOT TO SCALE



**OO VAR TEMPORARY INTERCEPTOR DITCH AND FILTREXX DITCH CHECK**  
 NOT TO SCALE